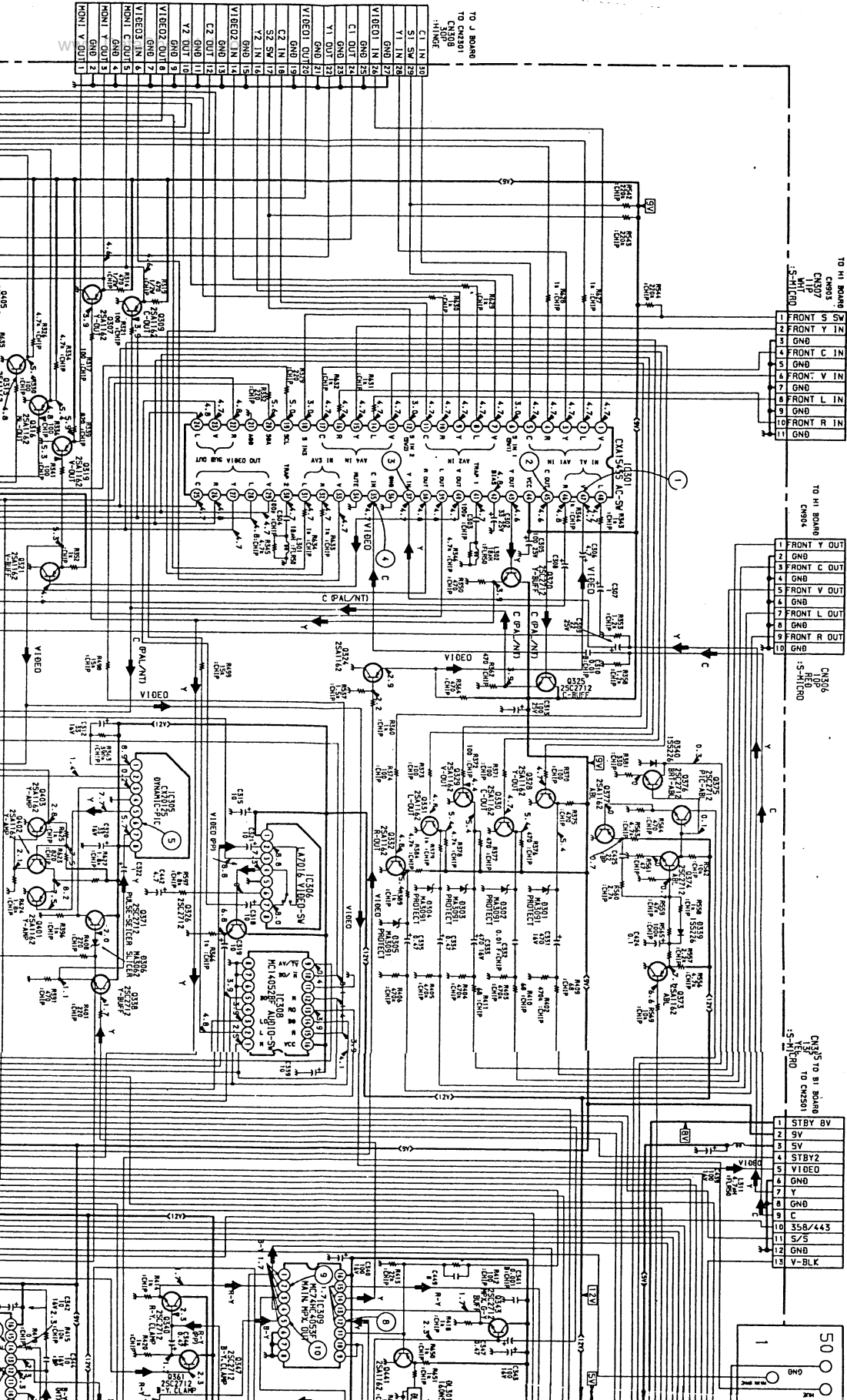


# SONY KV-S29MH1 / KV-S29 JH1 KV-S34MH1 / KV-S34 JH1.



TO HI BOARD  
CN903  
CN907  
MAP  
S-HIC00

1	FRONT S SW
2	FRONT Y IN
3	GND
4	FRONT C IN
5	GND
6	FRONT V IN
7	GND
8	FRONT L IN
9	GND
10	FRONT R IN
11	GND

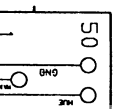
TO HI BOARD  
CN904

1	FRONT Y OUT
2	GND
3	FRONT C OUT
4	GND
5	FRONT V OUT
6	GND
7	FRONT L OUT
8	GND
9	FRONT R OUT
10	GND

CN906  
TOP  
REC00  
S-HIC00

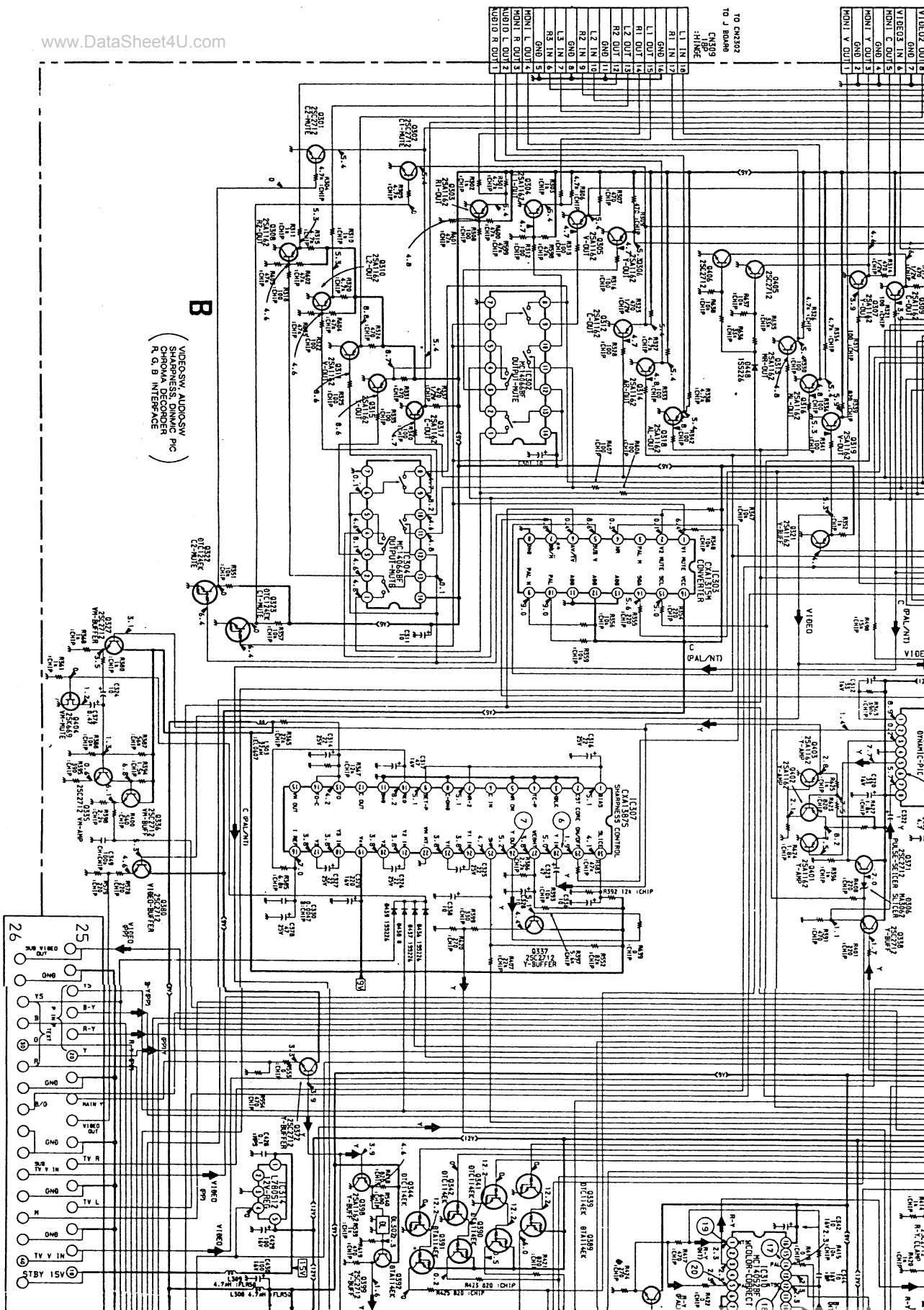
CN935 TO BI BOARD  
V3  
TO CN901  
S-HIC00

1	STBY AV
2	9V
3	5V
4	STBY Z
5	VIDEO
6	GND
7	Y
8	GND
9	C
10	358/443
11	S/S
12	GND
13	V-BLK



VI BEO2	QUT1 8
VI BEO3	IN 6
MONI C	QUT1 5
MONI G	QUT 4
MONI Y	QUT3 2
MONI G	QUT 2
MONI V	QUT1 1

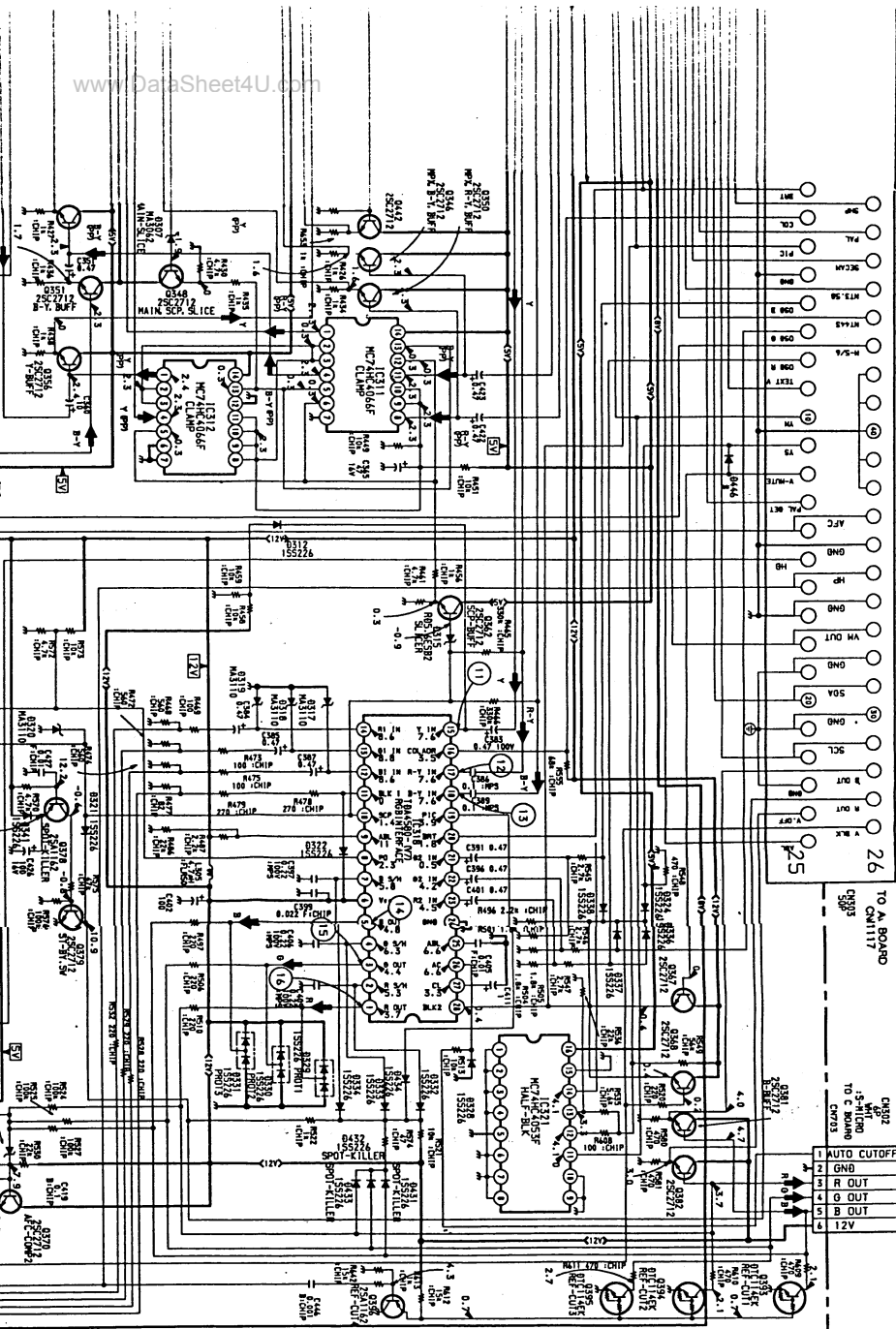
TO CH302
TO J B0A8
CH309
18B
18C
18D
18E
18F
18G
18H
18I
18J
18K
18L
18M
18N
18O
18P
18Q
18R
18S
18T
18U
18V
18W
18X
18Y
18Z
18AA
18AB
18AC
18AD
18AE
18AF
18AG
18AH
18AI
18AJ
18AK
18AL
18AM
18AN
18AO
18AP
18AQ
18AR
18AS
18AT
18AU
18AV
18AW
18AX
18AY
18AZ
18BA
18BB
18BC
18BD
18BE
18BF
18BG
18BH
18BI
18BJ
18BK
18BL
18BM
18BN
18BO
18BP
18BQ
18BR
18BS
18BT
18BU
18BV
18BW
18BX
18BY
18BZ
18CA
18CB
18CC
18CD
18CE
18CF
18CG
18CH
18CI
18CJ
18CK
18CL
18CM
18CN
18CO
18CP
18CQ
18CR
18CS
18CT
18CU
18CV
18CW
18CX
18CY
18CZ
18DA
18DB
18DC
18DD
18DE
18DF
18DG
18DH
18DI
18DJ
18DK
18DL
18DM
18DN
18DO
18DP
18DQ
18DR
18DS
18DT
18DU
18DV
18DW
18DX
18DY
18DZ
18EA
18EB
18EC
18ED
18EE
18EF
18EG
18EH
18EI
18EJ
18EK
18EL
18EM
18EN
18EO
18EP
18EQ
18ER
18ES
18ET
18EU
18EV
18EW
18EX
18EY
18EZ
18FA
18FB
18FC
18FD
18FE
18FF
18FG
18FH
18FI
18FJ
18FK
18FL
18FM
18FN
18FO
18FP
18FQ
18FR
18FS
18FT
18FU
18FV
18FW
18FX
18FY
18FZ
18GA
18GB
18GC
18GD
18GE
18GF
18GG
18GH
18GI
18GJ
18GK
18GL
18GM
18GN
18GO
18GP
18GQ
18GR
18GS
18GT
18GU
18GV
18GW
18GX
18GY
18GZ
18HA
18HB
18HC
18HD
18HE
18HF
18HG
18HH
18HI
18HJ
18HK
18HL
18HM
18HN
18HO
18HP
18HQ
18HR
18HS
18HT
18HU
18HV
18HW
18HX
18HY
18HZ
18IA
18IB
18IC
18ID
18IE
18IF
18IG
18IH
18II
18IJ
18IK
18IL
18IM
18IN
18IO
18IP
18IQ
18IR
18IS
18IT
18IU
18IV
18IW
18IX
18IY
18IZ
18JA
18JB
18JC
18JD
18JE
18JF
18JG
18JH
18JI
18JJ
18JK
18JL
18JM
18JN
18JO
18JP
18JQ
18JR
18JS
18JT
18JU
18JV
18JW
18JX
18JY
18JZ
18KA
18KB
18KC
18KD
18KE
18KF
18KG
18KH
18KI
18KJ
18KK
18KL
18KM
18KN
18KO
18KP
18KQ
18KR
18KS
18KT
18KU
18KV
18KW
18KX
18KY
18KZ
18LA
18LB
18LC
18LD
18LE
18LF
18LG
18LH
18LI
18LJ
18LK
18LL
18LM
18LN
18LO
18LP
18LQ
18LR
18LS
18LT
18LU
18LV
18LW
18LX
18LY
18LZ
18MA
18MB
18MC
18MD
18ME
18MF
18MG
18MH
18MI
18MJ
18MK
18ML
18MM
18MN
18MO
18MP
18MQ
18MR
18MS
18MT
18MU
18MV
18MW
18MX
18MY
18MZ
18NA
18NB
18NC
18ND
18NE
18NF
18NG
18NH
18NI
18NJ
18NK
18NL
18NM
18NN
18NO
18NP
18NQ
18NR
18NS
18NT
18NU
18NV
18NW
18NX
18NY
18NZ
18OA
18OB
18OC
18OD
18OE
18OF
18OG
18OH
18OI
18OJ
18OK
18OL
18OM
18ON
18OO
18OP
18OQ
18OR
18OS
18OT
18OU
18OV
18OW
18OX
18OY
18OZ
18PA
18PB
18PC
18PD
18PE
18PF
18PG
18PH
18PI
18PJ
18PK
18PL
18PM
18PN
18PO
18PP
18PQ
18PR
18PS
18PT
18PU
18PV
18PW
18PX
18PY
18PZ
18QA
18QB
18QC
18QD
18QE
18QF
18QG
18QH
18QI
18QJ
18QK
18QL
18QM
18QN
18QO
18QP
18QQ
18QR
18QS
18QT
18QU
18QV
18QW
18QX
18QY
18QZ
18RA
18RB
18RC
18RD
18RE
18RF
18RG
18RH
18RI
18RJ
18RK
18RL
18RM
18RN
18RO
18RP
18RQ
18RR
18RS
18RT
18RU
18RV
18RW
18RX
18RY
18RZ
18SA
18SB
18SC
18SD
18SE
18SF
18SG
18SH
18SI
18SJ
18SK
18SL
18SM
18SN
18SO
18SP
18SQ
18SR
18SS
18ST
18SU
18SV
18SW
18SX
18SY
18SZ
18TA
18TB
18TC
18TD
18TE
18TF
18TG
18TH
18TI
18TJ
18TK
18TL
18TM
18TN
18TO
18TP
18TQ
18TR
18TS
18TT
18TU
18TV
18TW
18TX
18TY
18TZ
18UA
18UB
18UC
18UD
18UE
18UF
18UG
18UH
18UI
18UJ
18UK
18UL
18UM
18UN
18UO
18UP
18UQ
18UR
18US
18UT
18UU
18UV
18UW
18UX
18UY
18UZ
18VA
18VB
18VC
18VD
18VE
18VF
18VG
18VH
18VI
18VJ
18VK
18VL
18VM
18VN
18VO
18VP
18VQ
18VR
18VS
18VT
18VU
18VV
18VW
18VX
18VY
18VZ
18WA
18WB
18WC
18WD
18WE
18WF
18WG
18WH
18WI
18WJ
18WK
18WL
18WM
18WN
18WO
18WP
18WQ
18WR
18WS
18WT
18WU
18WV
18WW
18WX
18WY
18WZ
18XA
18XB
18XC
18XD
18XE
18XF
18XG
18XH
18XI
18XJ
18XK
18XL
18XM
18XN
18XO
18XP
18XQ
18XR
18XS
18XT
18XU
18XV
18XW
18XX
18XY
18XZ
18YA
18YB
18YC
18YD
18YE
18YF
18YG
18YH
18YI
18YJ
18YK
18YL
18YM
18YN
18YO
18YP
18YQ
18YR
18YS
18YT
18YU
18YV
18YW
18YX
18YY
18YZ
18ZA
18ZB
18ZC
18ZD
18ZE
18ZF
18ZG
18ZH
18ZI
18ZJ
18ZK
18ZL
18ZM
18ZN
18ZO
18ZP
18ZQ
18ZR
18ZS
18ZT
18ZU
18ZV
18ZW
18ZX
18ZY
18ZZ



**B**

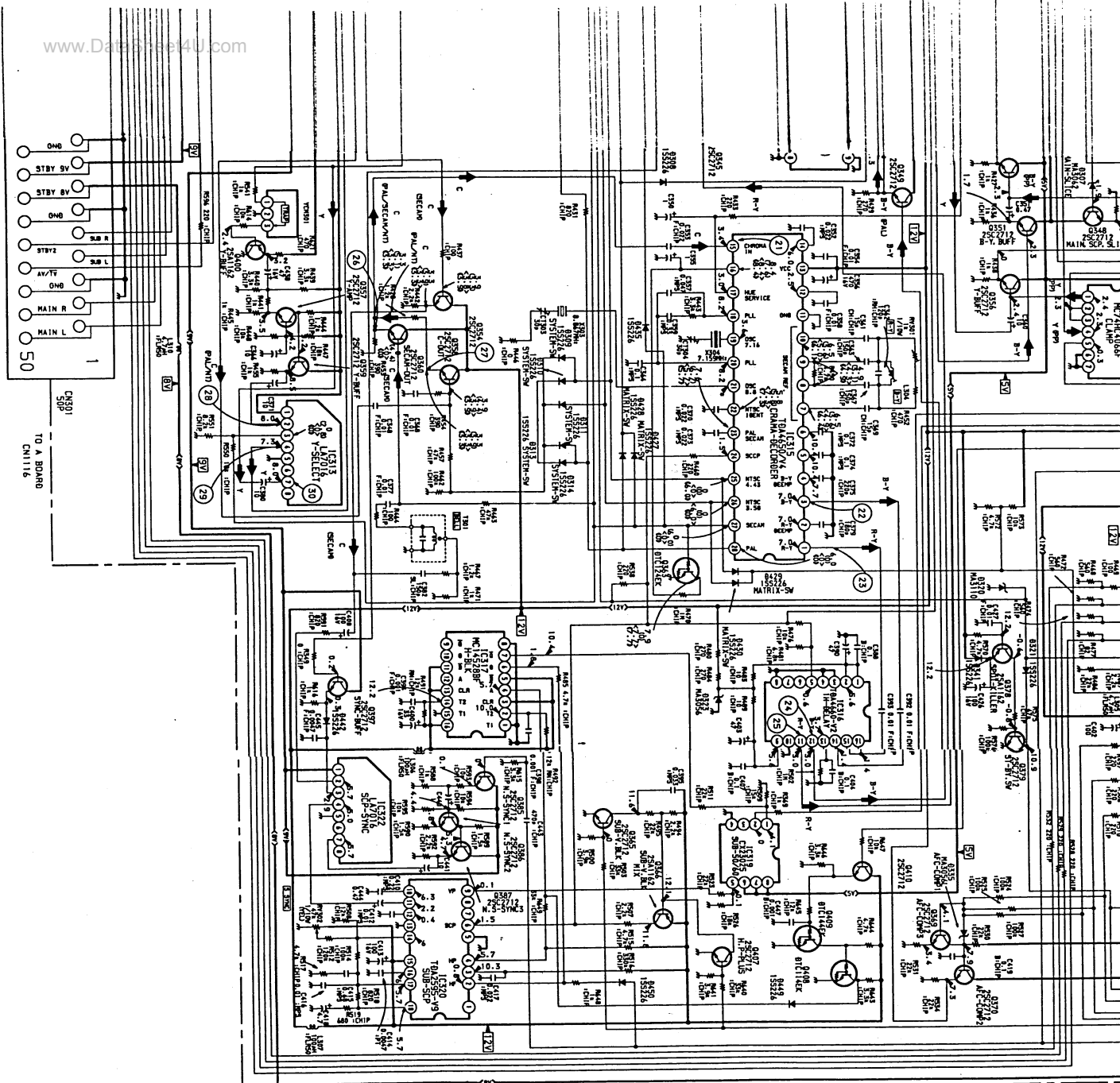
VIDEO/SW AUDIO/SW  
SHARPESS DRIVER  
CHROMA DECODER  
R, G, B INTERFACE

# TELETEXT STEREO



- 1 AUTO CUTOFF
- 2 GND
- 3 R OUT
- 4 G OUT
- 5 B OUT
- 6 1.2V

① 1.2 Vp-p (H)	② 1.0 Vp-p (H)	③ 2.0 Vp-p (H)
④ 1.0 Vp-p (H)	⑤ 0.8 Vp-p (H)	⑥ 1.5 Vp-p (H)
⑦ 1.5 Vp-p (H)	⑧ 1.25 Vp-p (H)	⑨ 0.7 Vp-p (H)
⑩ 1.1 Vp-p (H)	⑪ 1.25 Vp-p (H)	⑫ 0.7 Vp-p (H)
⑬ 1.1 Vp-p (H)	⑭ 7.0 Vp-p (H)	⑮ 6.5 Vp-p (H)
⑯ 4.5 Vp-p (H)	⑰ 1.1 Vp-p (H)	⑱ 1.1 Vp-p (H)



1. 1VP-d (H)	7. 0VP-d (H)	13. 6.5VP-d (H)
16. 4.5VP-d (H)	17. 1.1VP-d (H)	18. 1.1VP-d (H)
19. 0.7VP-d (H)	20. 0.7VP-d (H)	21. 1.0VP-d (H)
22. PAL NTSC3:58	22. SECAM	23. PAL NTSC3:58
0.6VP-d (H)	1.5VP-d (H)	25. 0.5VP-d (H)
23. SECAM	24. 1.1VP-d (H)	25. 0.9VP-d (H)
1.1VP-d (H)	26. SECAM	27. PAL NTSC3:58
28. PAL NTSC3:58	1.0VP-d (H)	27. PAL NTSC3:58
0.3VP-d (H)	0.3VP-d (H)	29. PAL NTSC3:58
29. PAL NTSC3:58	29. SECAM	29. PAL NTSC3:58
0.25VP-d (H)	0.8VP-d (H)	30. PAL NTSC3:58
29. SECAM	30. PAL NTSC3:58	30. SECAM
0.8VP-d (H)	0.25VP-d (H)	30. SECAM
	0.8VP-d (H)	

L (+)	1
L (-)	2
R (+)	3
R (-)	4
KEY IN	5
IN/OUT	6

SHF L (+)	1
SHF L (-)	2
SHF R (+)	3

KEY IN 1	1
EDIT 2	2
3	3
A	4
B	5
NICAM	6
RESP	7
8	8
9	9
10	10

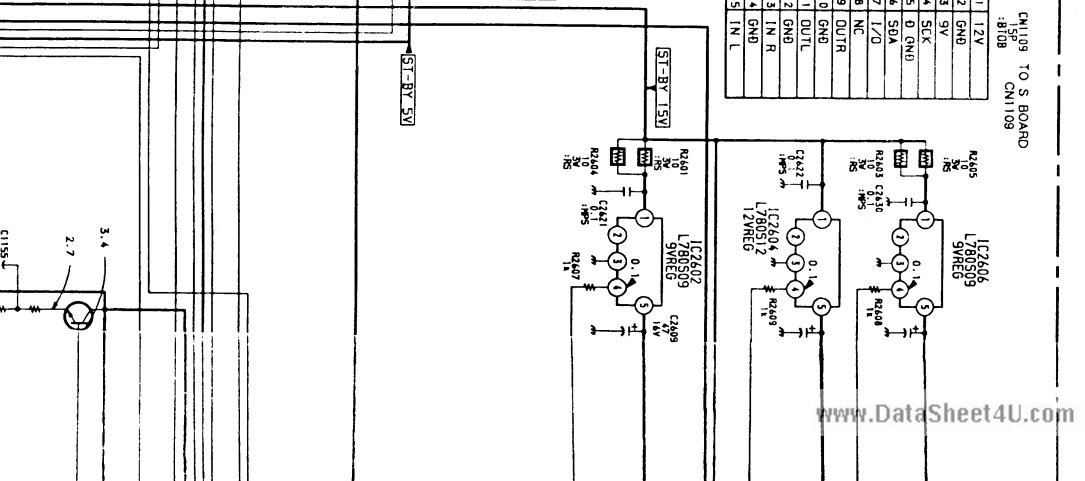
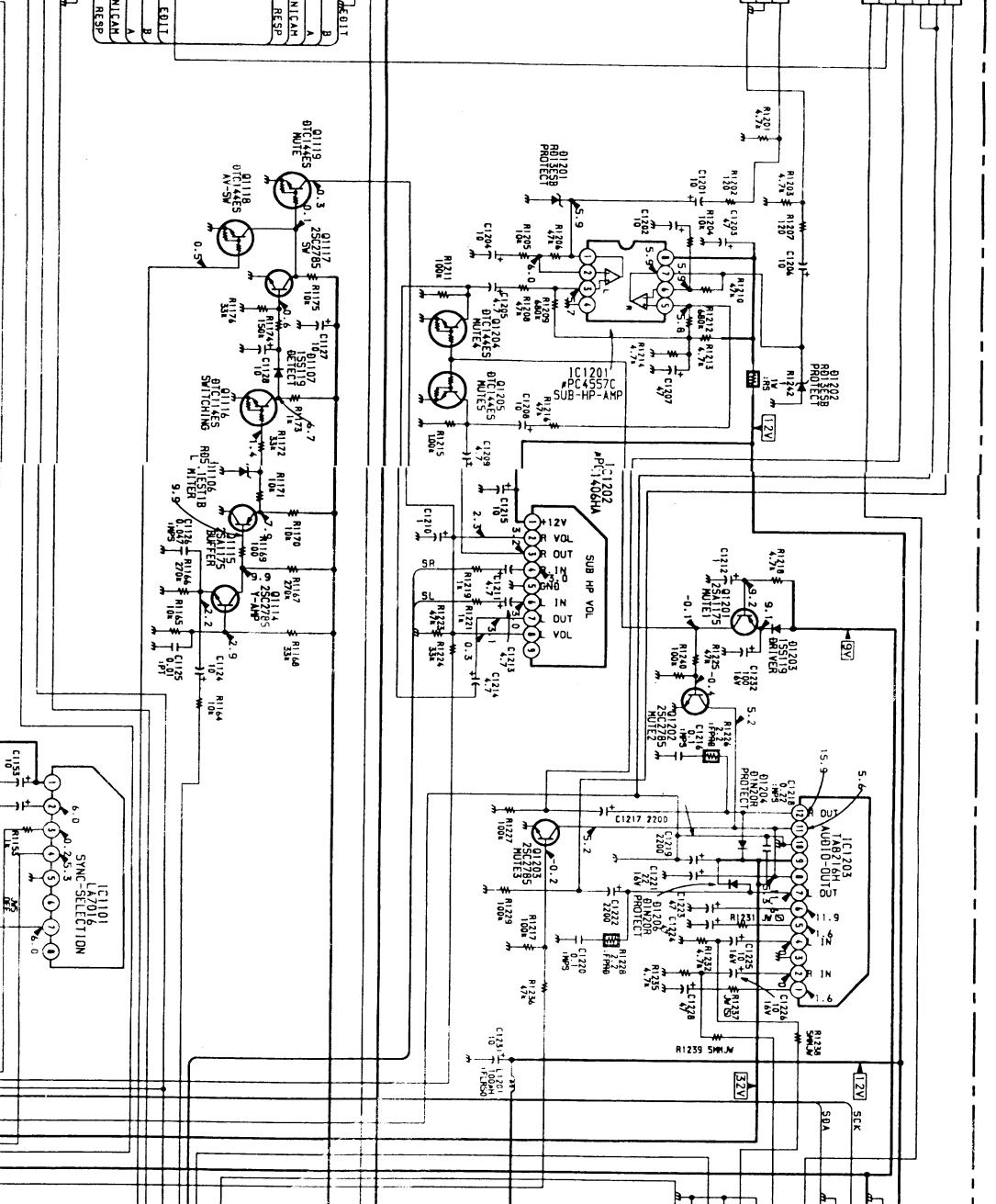
KEY IN 1	1
EDIT 2	2
3	3
A	4
B	5
NICAM	6
RESP	7
8	8
9	9
10	10

1 12V	1
2 GND	2
3 5V	3
4 5.0 GND	4
5 5.0 GND	5
6 5.0 GND	6
7 12V	7
8 NC	8
9 OUTR	9
10 GND	10
11 OUTL	11
12 GND	12
13 IN R	13
14 IN L	14
15 IN L	15

1 12V	1
2 GND	2
3 5V	3
4 5.0 GND	4
5 5.0 GND	5
6 5.0 GND	6
7 12V	7
8 NC	8
9 OUTR	9
10 GND	10
11 OUTL	11
12 GND	12
13 IN R	13
14 IN L	14
15 IN L	15

CN1109 TO S BOARD

8108



KEY IN	1	EQ11
EDIT	2	A
B	3	B
A	4	A
NICAM	5	NICAM
NICAM	6	NICAM
RESP	7	RESP
GND	8	
S-BLK	9	
S-BLK	10	
S-BLK	11	
DEGAUSS	12	

POS 1	1	
POS 2	2	
GND	3	

STBY2	1	
ABL	2	
V. PROT	3	
VP. 1/0	4	
E/W	5	
V. DRIVE	6	
H0	7	
9V	8	
GND	9	
H-TRAPZ	10	

HP	1	
GND	2	
VH	3	
60/50	4	
SCK	5	
SDA	6	
VP 1/0	7	
AFC	8	
CCH0	9	
V BLK	10	

TOP	1	
WHT	2	
5-MICRO	3	
TO J BOARD	4	
CN2306	5	

TOP	1	
WHT	2	
5-MICRO	3	
TO B BOARD	4	
CN501	5	

TOP	1	
WHT	2	
5-MICRO	3	
TO B BOARD	4	
CN505	5	

TOP	1	
WHT	2	
5-MICRO	3	
TO F BOARD	4	
CN501	5	

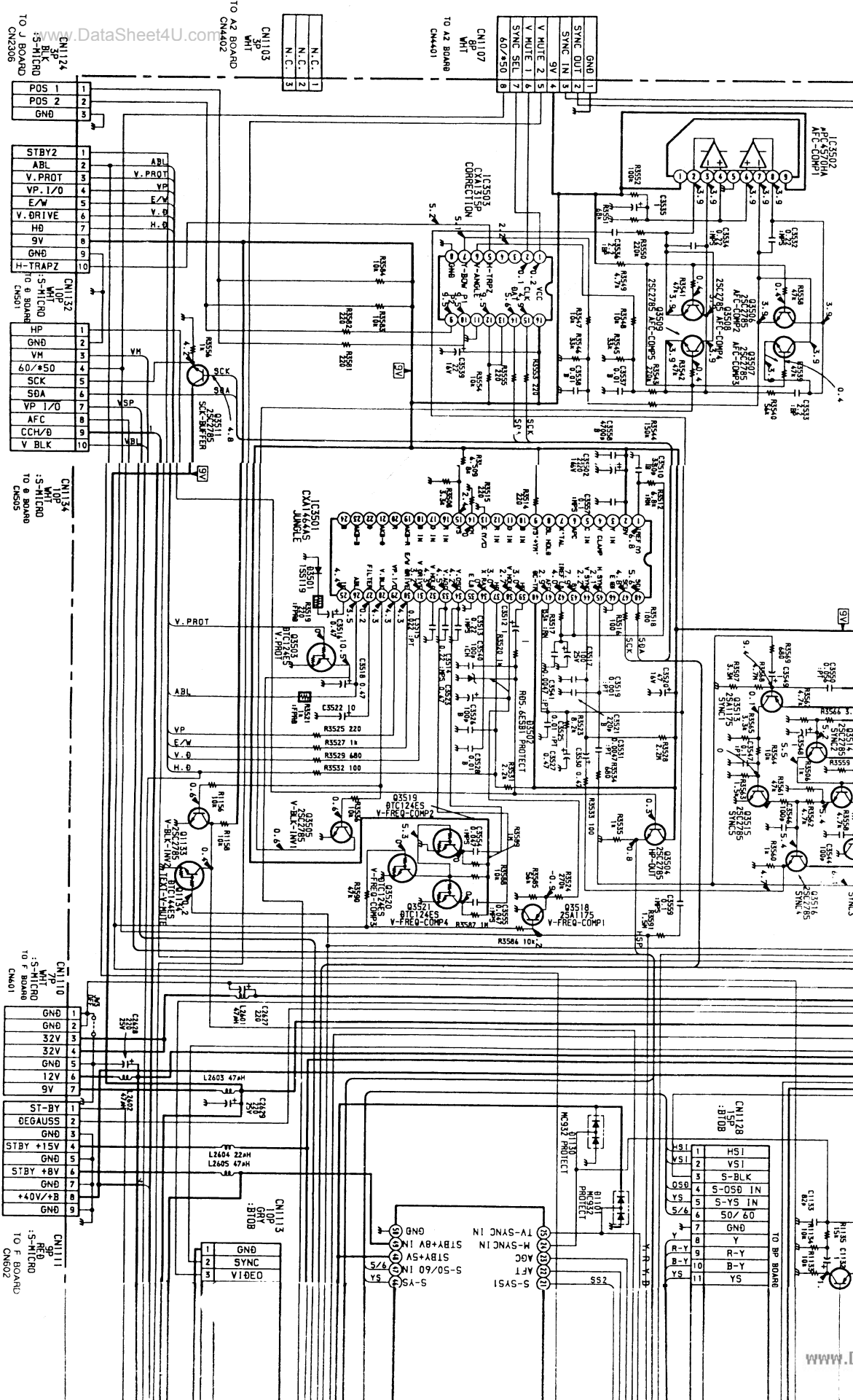
TOP	1	
WHT	2	
5-MICRO	3	
TO F BOARD	4	
CN502	5	

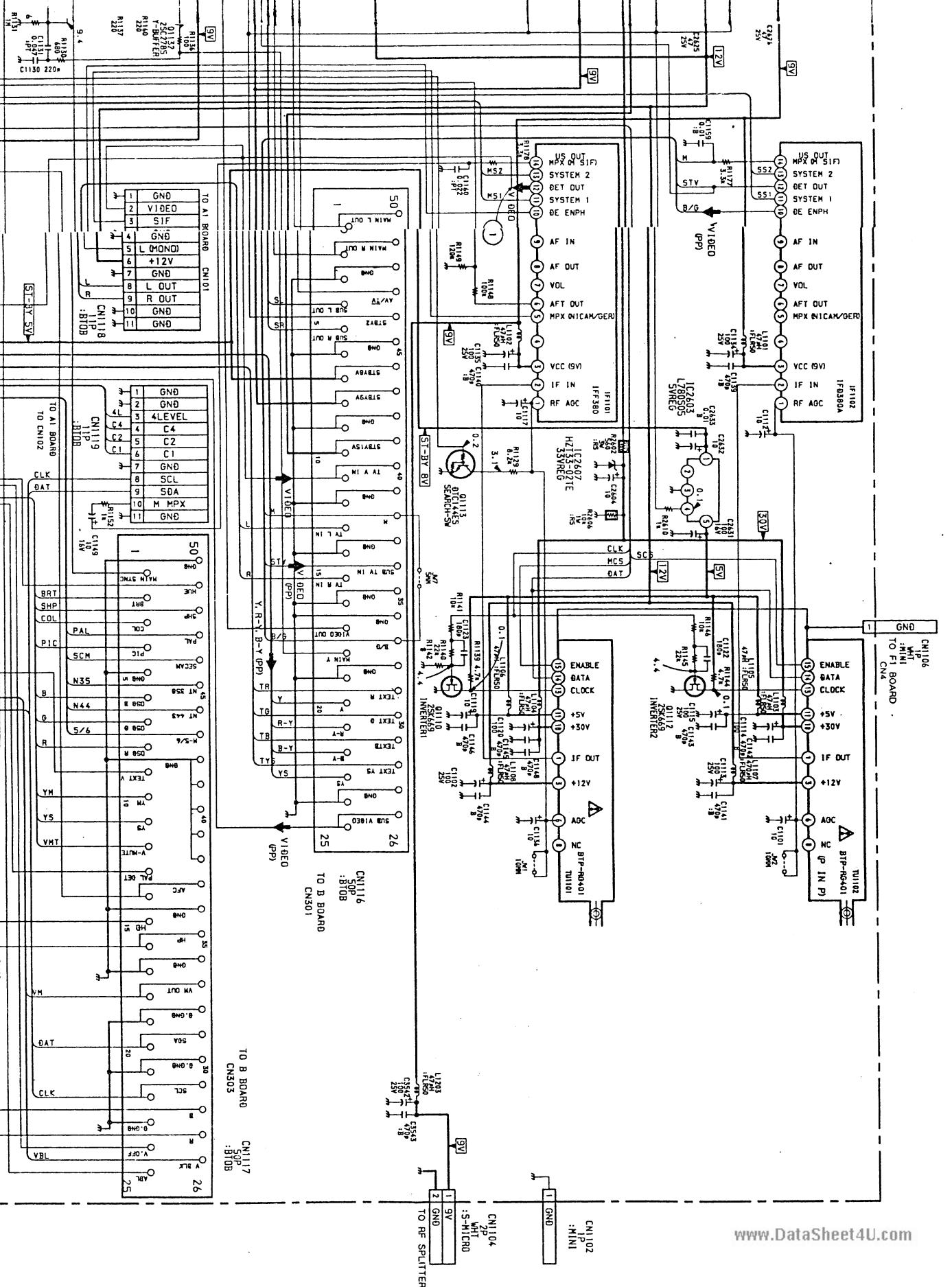
TOP	1	
WHT	2	
5-MICRO	3	
TO F BOARD	4	
CN502	5	

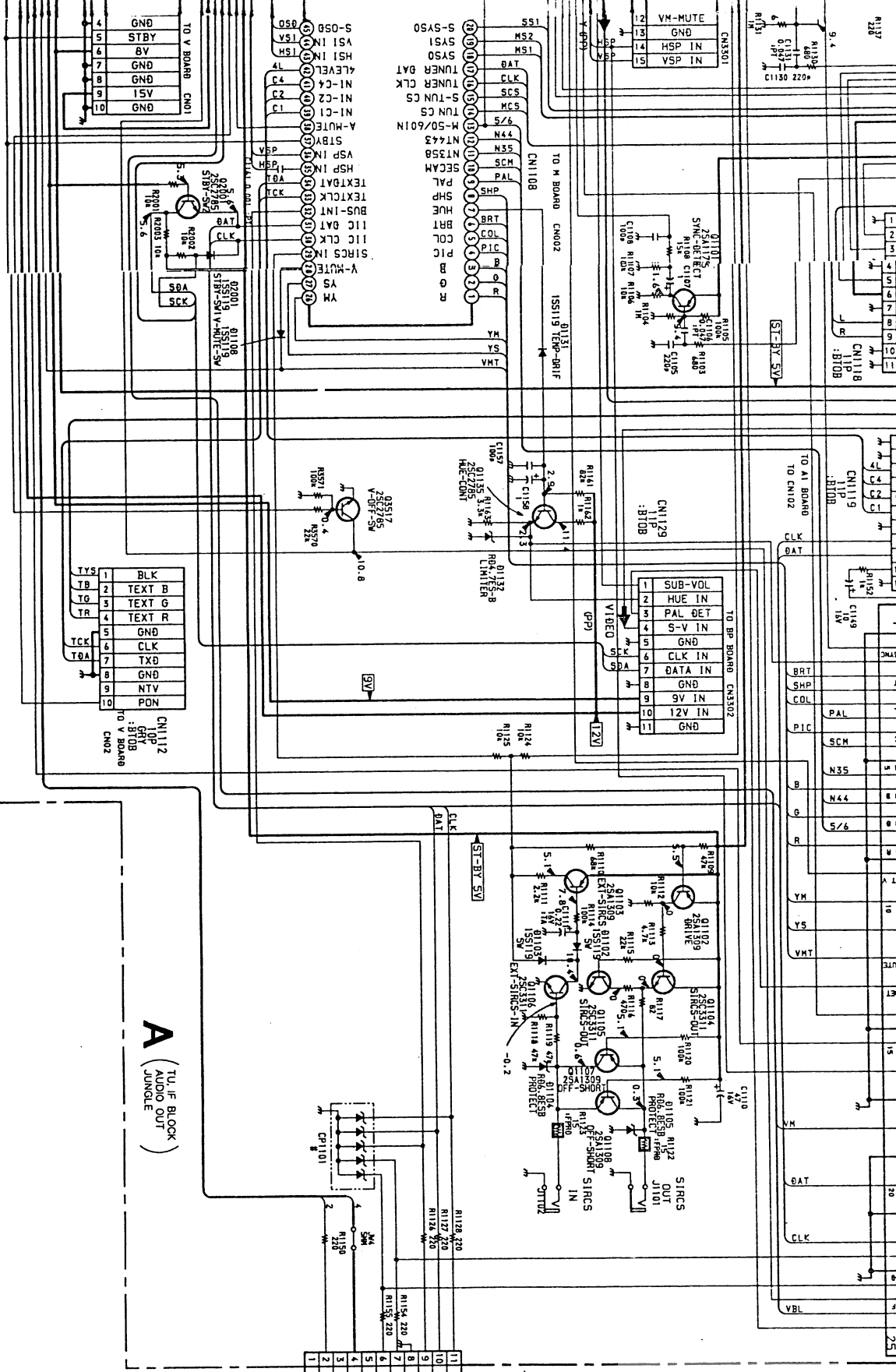
TOP	1	
WHT	2	
5-MICRO	3	
TO F BOARD	4	
CN502	5	

TOP	1	
WHT	2	
5-MICRO	3	
TO F BOARD	4	
CN502	5	

TOP	1	
WHT	2	
5-MICRO	3	
TO F BOARD	4	
CN502	5	







1	YS
2	TB
3	TO
4	TR
5	TCK
6	TBA
7	GND
8	GND
9	GND
10	GND

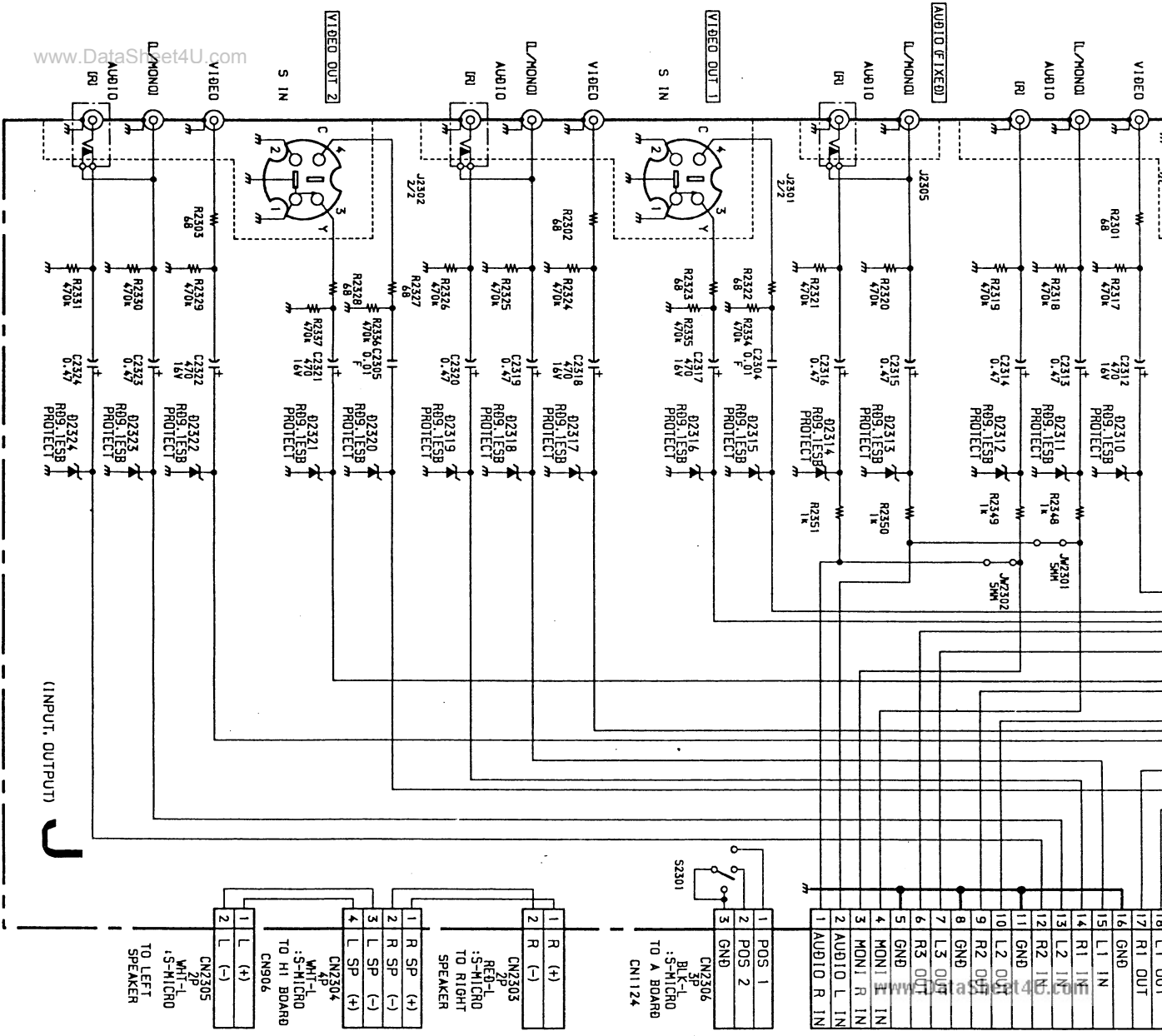
1	BLK
2	TEXT B
3	TEXT G
4	TEXT R
5	CLK
6	TXD
7	GND
8	GND
9	NTV
10	PON

**A** (TU IF BLOCK)  
(AUDIO OUT)

1	CHKCA
2	CHC/B
3	ABL
4	+B
5	NC
6	R
7	B
8	GND
9	BI/NT
10	BBAT
11	BCLK

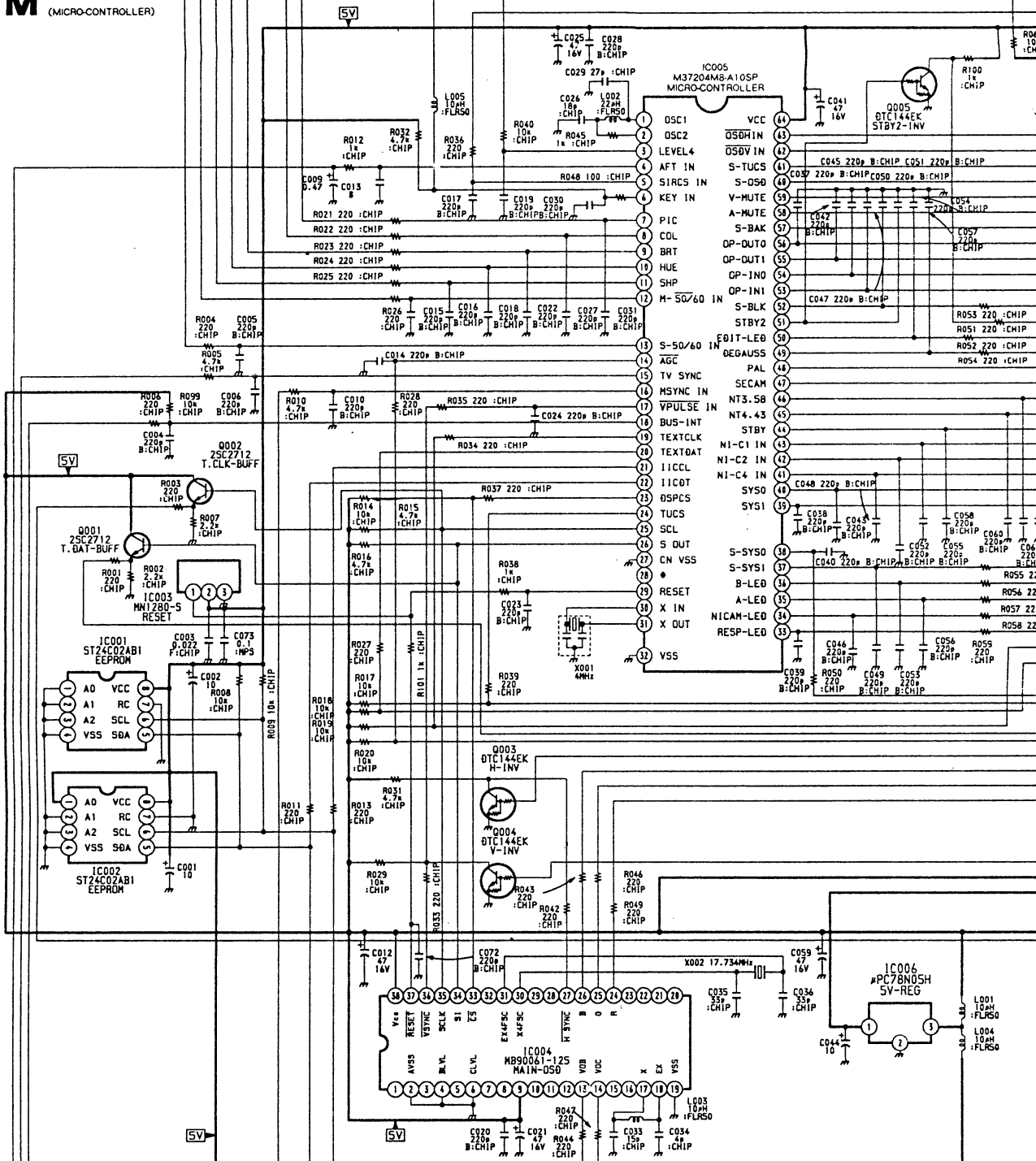


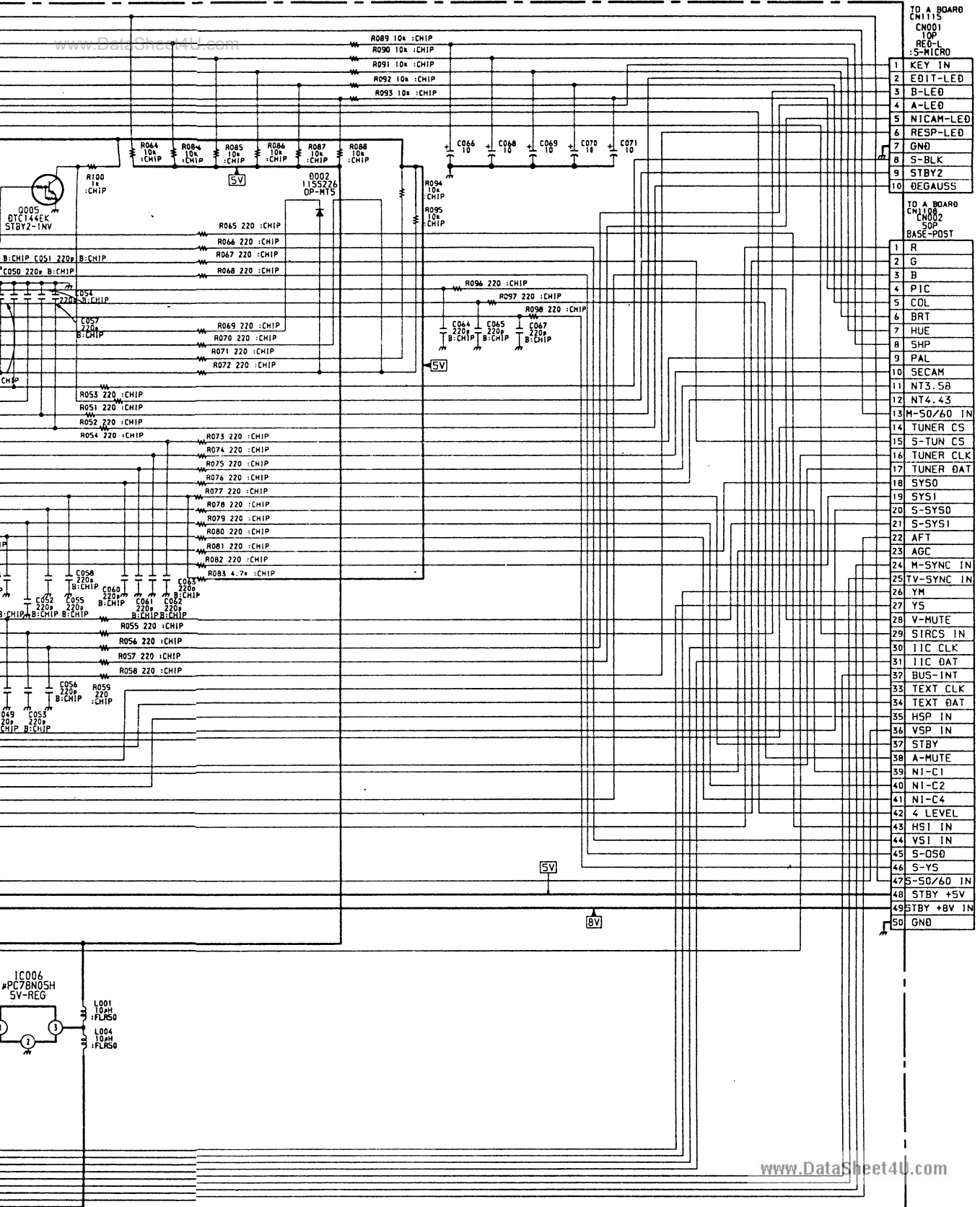




(INPUT, OUTPUT)

# M (MICRO-CONTROLLER)





- TO A BOARD  
CN115  
C001  
TOP  
RED-1  
:S-MICRO
- 1 KEY IN
  - 2 EDIT-LED
  - 3 B-LED
  - 4 A-LED
  - 5 NICAM-LED
  - 6 RESP-LED
  - 7 GND
  - 8 S-BLK
  - 9 STBY2
  - 10 DEGAUSS

- TO A BOARD  
CN118  
C002  
50P  
BASE-POST
- 1 R
  - 2 G
  - 3 B
  - 4 PIC
  - 5 COL
  - 6 BRT
  - 7 HUE
  - 8 SHP
  - 9 PAL
  - 10 SECAM
  - 11 NT3.58
  - 12 NT4.43
  - 13 M-50/60 IN
  - 14 TUNER CS
  - 15 S-TUN CS
  - 16 TUNER CLK
  - 17 TUNER DAT
  - 18 SYS0
  - 19 SYS1
  - 20 S-SYS0
  - 21 S-SYS1
  - 22 AFT
  - 23 AGC
  - 24 M-SYNC IN
  - 25 TV-SYNC IN
  - 26 YM
  - 27 YS
  - 28 V-MUTE
  - 29 SIRCS IN
  - 30 IIC CLK
  - 31 IIC DAT
  - 32 BUS-INT
  - 33 TEXT CLK
  - 34 TEXT DAT
  - 35 HSP IN
  - 36 VSP IN
  - 37 STBY
  - 38 A-MUTE
  - 39 NI-C1
  - 40 NI-C2
  - 41 NI-C4
  - 42 4 LEVEL
  - 43 HSI IN
  - 44 VSI IN
  - 45 S-OSD
  - 46 S-YS
  - 47 S-50/60 IN
  - 48 STBY +5V
  - 49 STBY +8V IN
  - 50 GND

201  
 0B  
 0ARD  
 09

12V	1
GND	2
9V	3
SCK	4
IGND	5
SBA	6
I/O	7
NC	8
RT	9
GND	10
IT	11
GND	12
NR	13
GND	14
NL	15

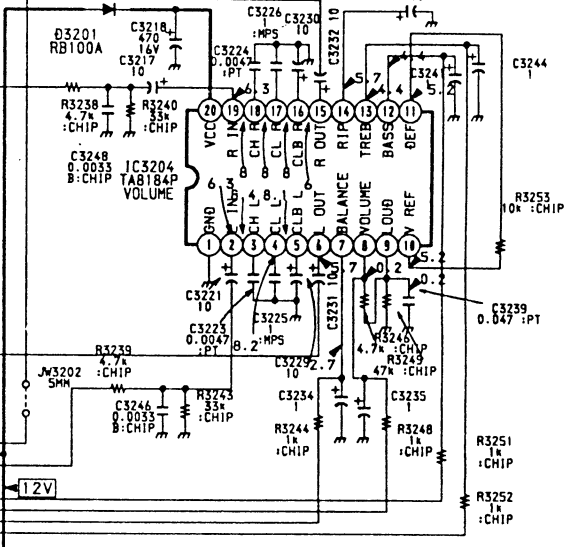
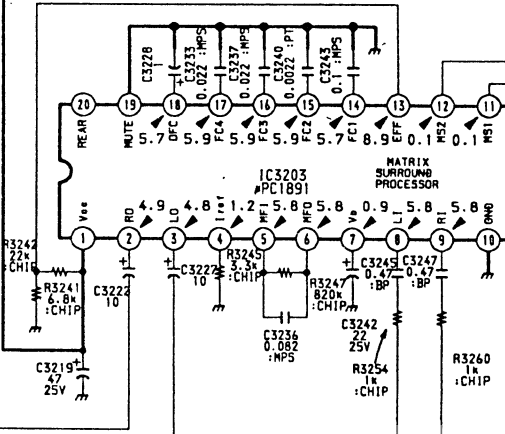
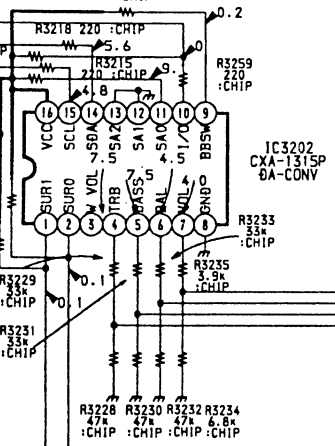
12V

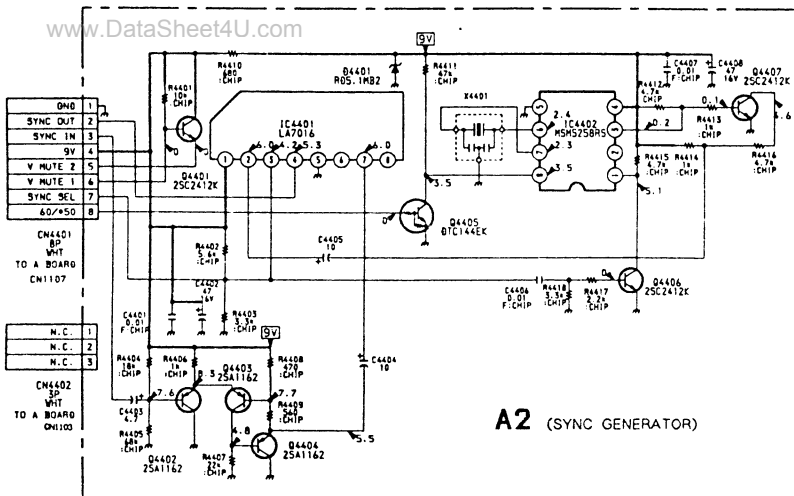
9V

12V

S

(SURROUND PROCESSOR)



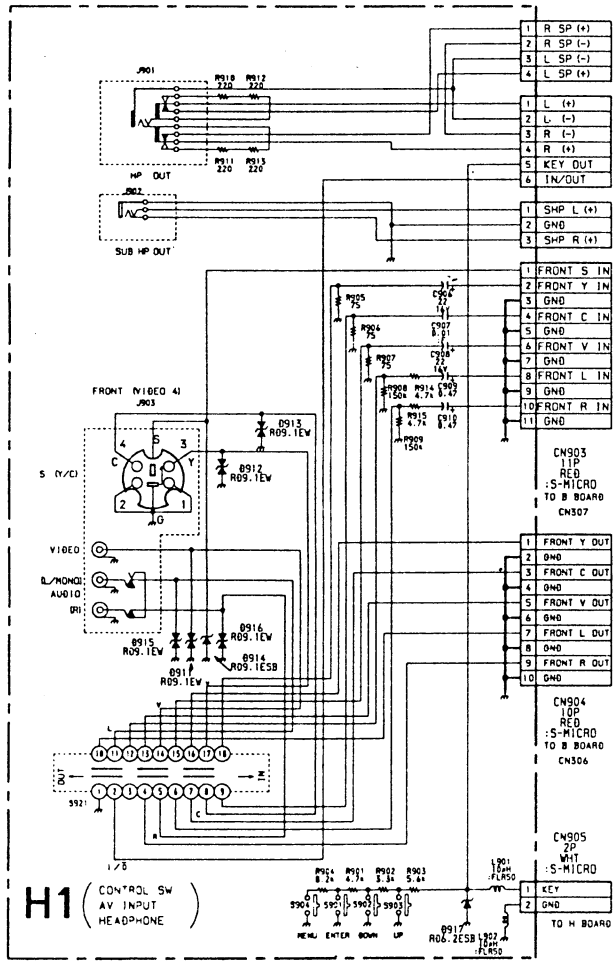
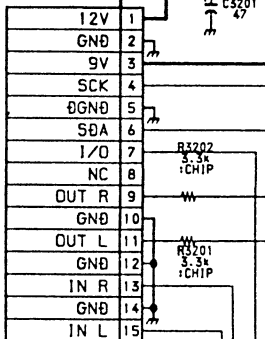


5V	1
SYNC OUT	2
SYNC IN	3
9V	4
V MUTE 2	5
V MUTE 1	6
SYNC SEL	7
60/50	8

H.C. 1	1
H.C. 2	2
H.C. 3	3

CN4401	BP	1
TO A BOARD		
CN1107		

CN3201	15P	1
:BTOB		
TO A BOARD		
CN1109		



CN906	4P	1	R SP (+)
		2	R SP (-)
		3	L SP (-)
		4	L SP (+)
			:S-MICRO
			TO J BOARD
			TO CN2304

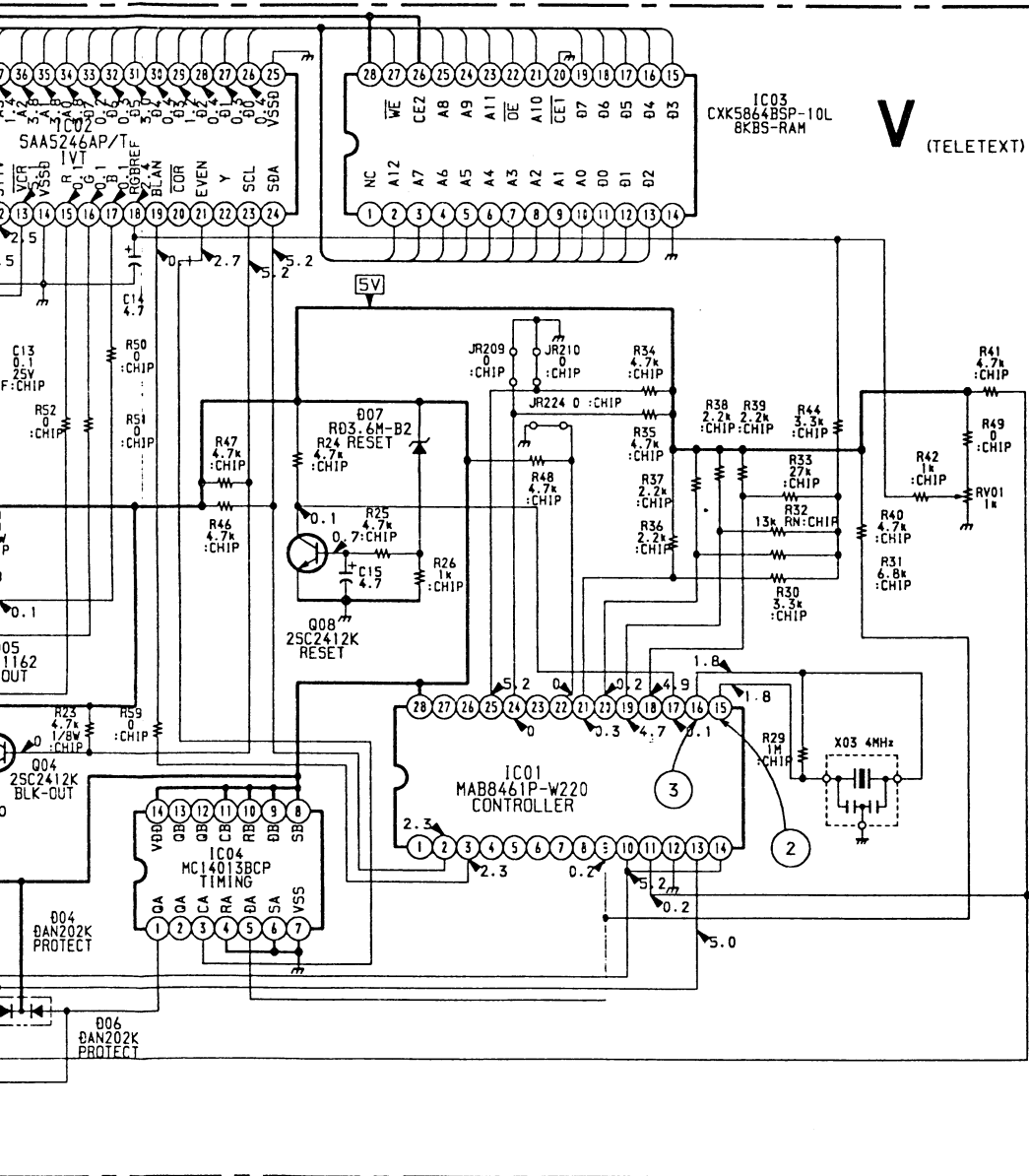
CN901	6P	1	L (+)
		2	L (-)
		3	R (-)
		4	R (+)
			:S-MICRO
			TO A BOARD
			TO CN1101

CN902	3P	1	SHP L (+)
		2	GND
		3	SHP R (+)
			:S-MICRO
			TO A BOARD
			TO CN1105

CN903	11P	1	FRONT S IN
		2	FRONT Y IN
		3	GND
		4	FRONT C IN
		5	GND
		6	FRONT V IN
		7	GND
		8	FRONT L IN
		9	GND
		10	FRONT R IN
		11	GND
			:S-MICRO
			TO B BOARD
			CN507

CN904	10P	1	FRONT Y OUT
		2	GND
		3	FRONT C OUT
		4	GND
		5	FRONT V OUT
		6	GND
		7	FRONT L OUT
		8	GND
		9	FRONT R OUT
		10	GND
			:S-MICRO
			TO B BOARD
			CN506

CN905	2P	1	KEY
		2	GND
			:S-MICRO
			TO H BOARD



V (TELETEXT)

# SCHEMATIC DIAGRAM OF V BOARD

www.DataSheet4U.com

## V BOARD WAVEFORMS

①



1.0 V<sub>p-p</sub> ( H )

②

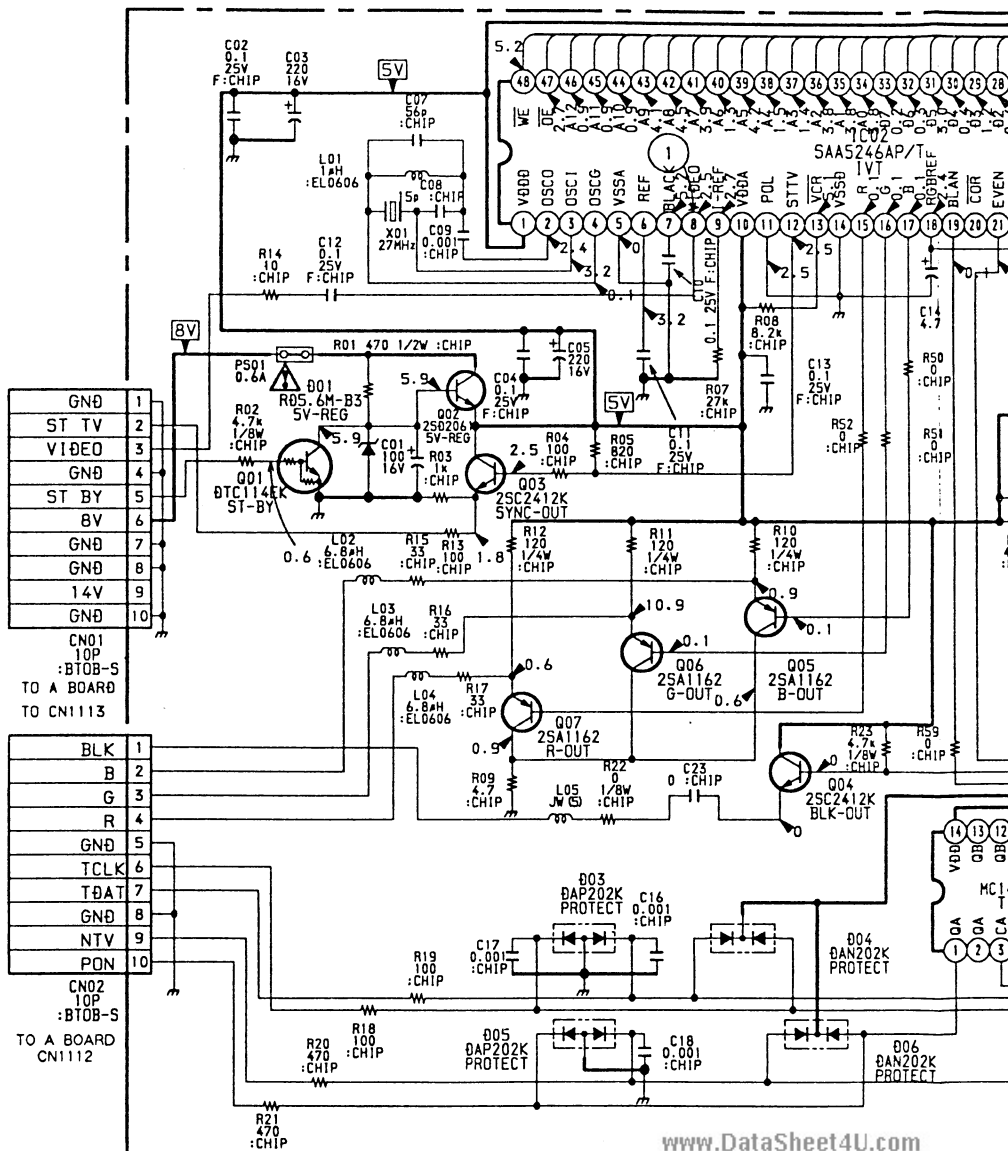


4.0 V<sub>p-p</sub> (4MHz)

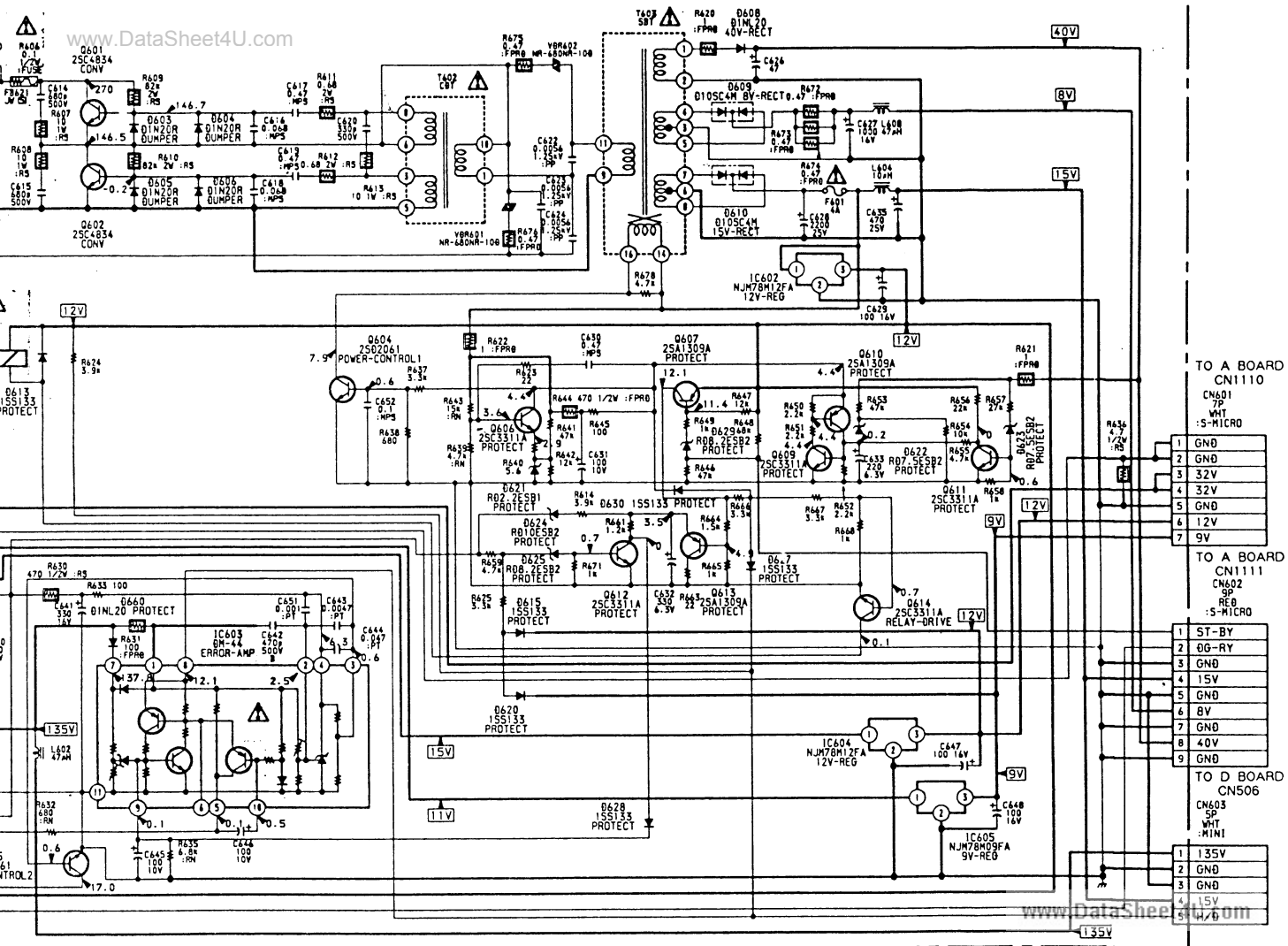
③



4.0 V<sub>p-p</sub> (4MHz)







TO A BOARD  
CN1110  
CN401  
7P  
WHT  
:S-MICRO

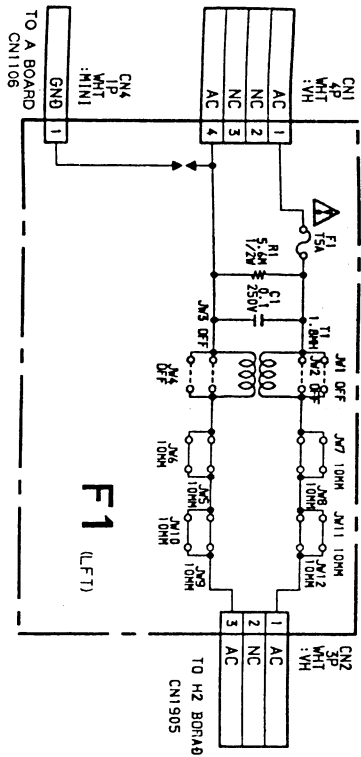
- 1 GND
- 2 GND
- 3 32V
- 4 32V
- 5 GND
- 6 12V
- 7 9V

TO A BOARD  
CN1111  
CN602  
5P  
REB  
:S-MICRO

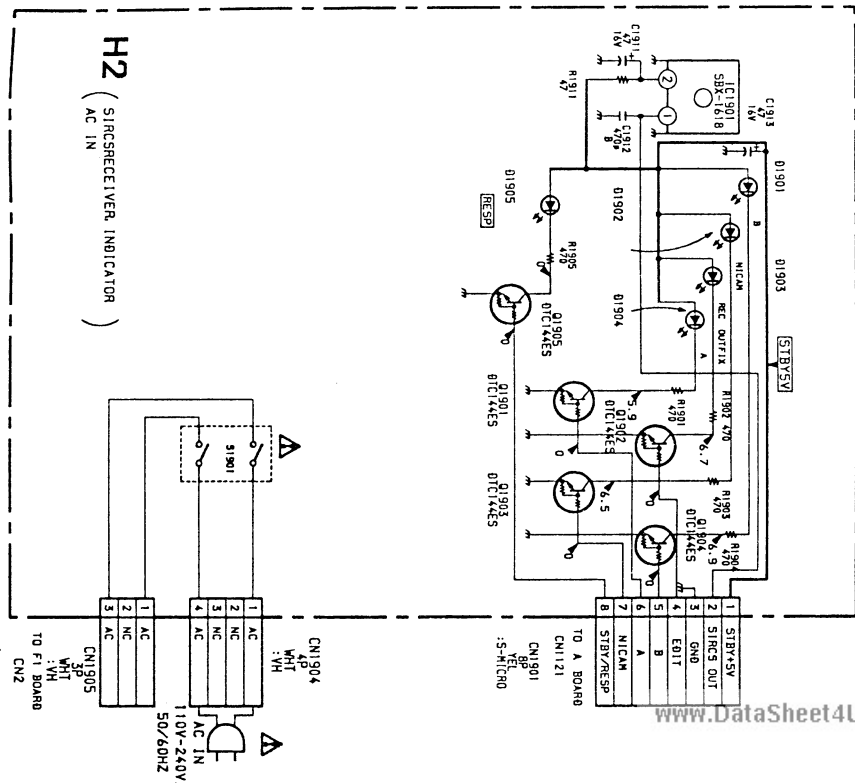
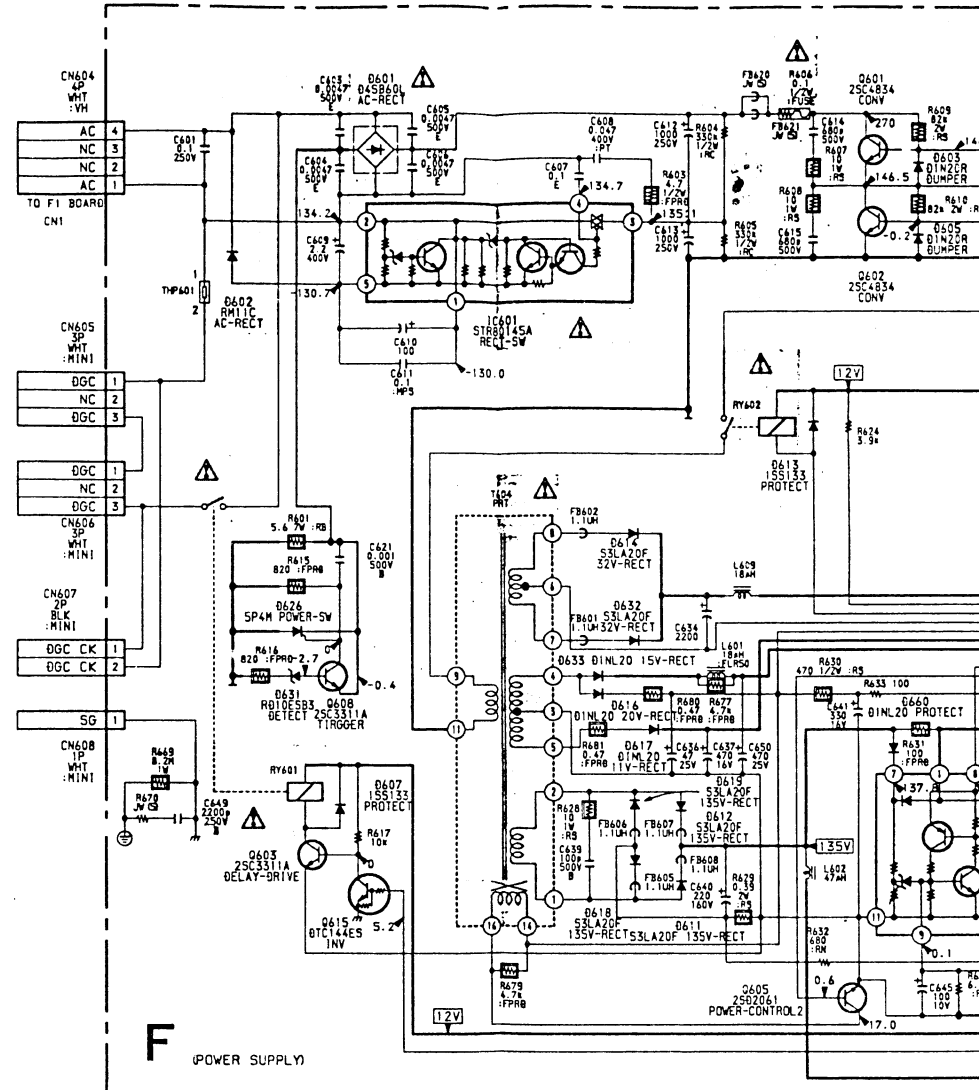
- 1 ST-BY
- 2 00-RY
- 3 GND
- 4 15V
- 5 GND
- 6 8V
- 7 GND
- 8 40V
- 9 GND

TO D BOARD  
CN506

- 1 135V
- 2 GND
- 3 GND
- 4 15V
- 5 4.76V



TO F BOARD  
CN604



TO 01 BOARD  
TO CN803

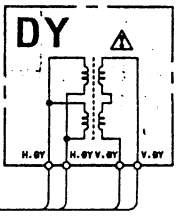
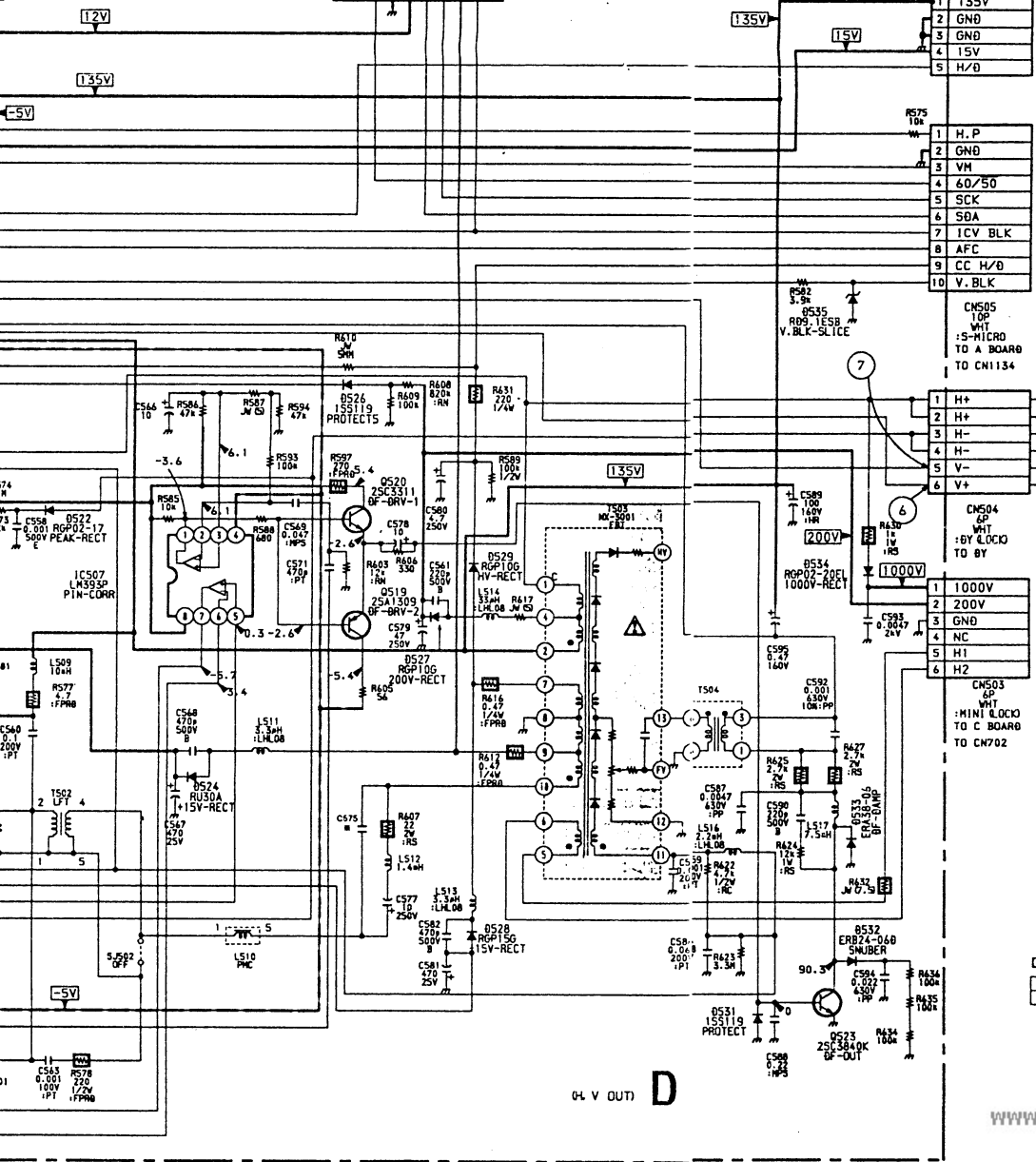
CN508  
10P  
:BT0B

TO 01 BOARD  
TO CN803  
TO CN804

CN507  
10P  
:BT0B

TO F BOARD  
TO CN803

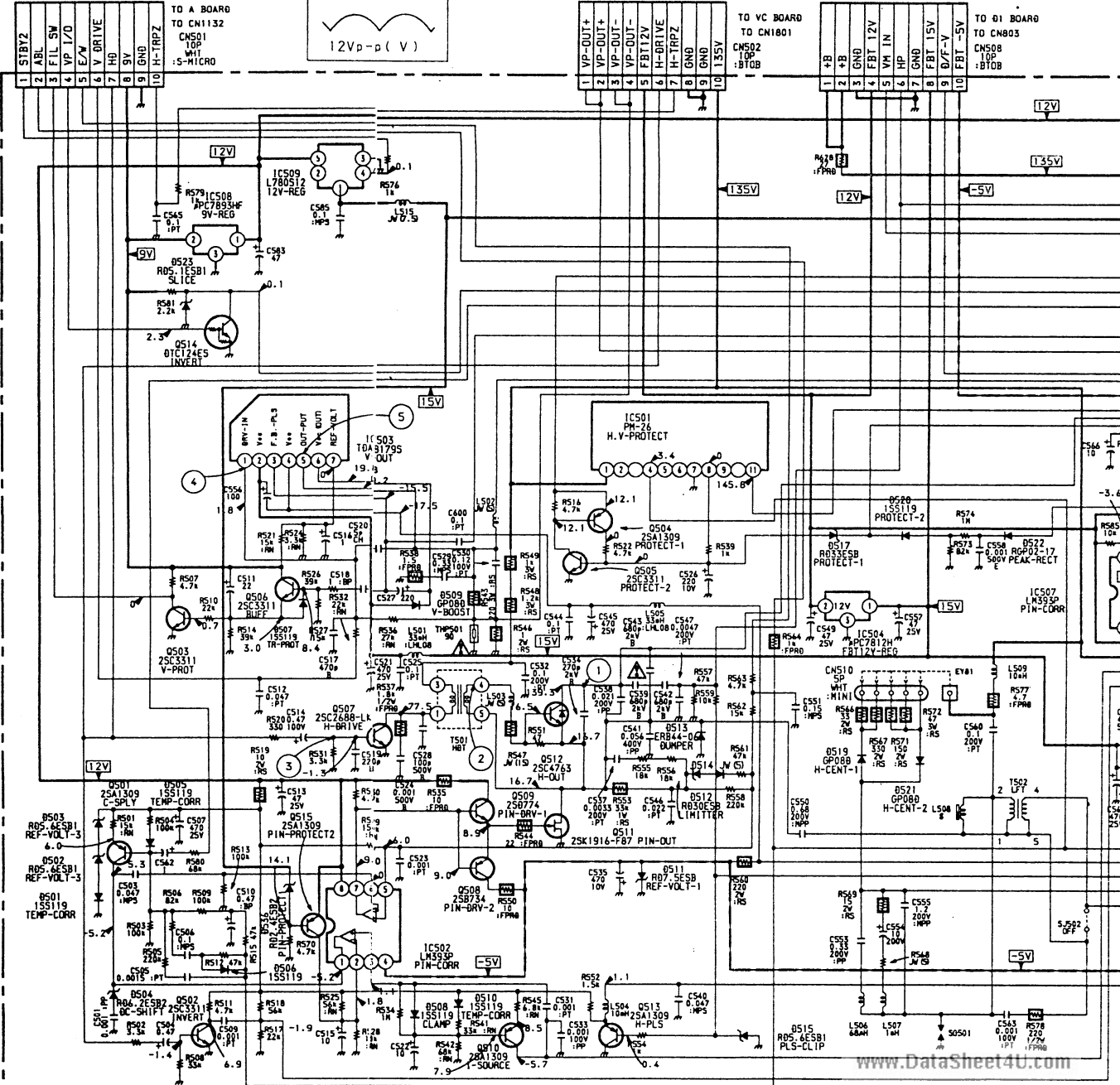
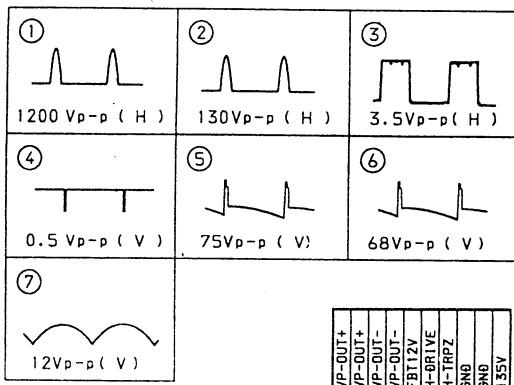
CN504  
5P  
:WHT  
:WHT



D Board

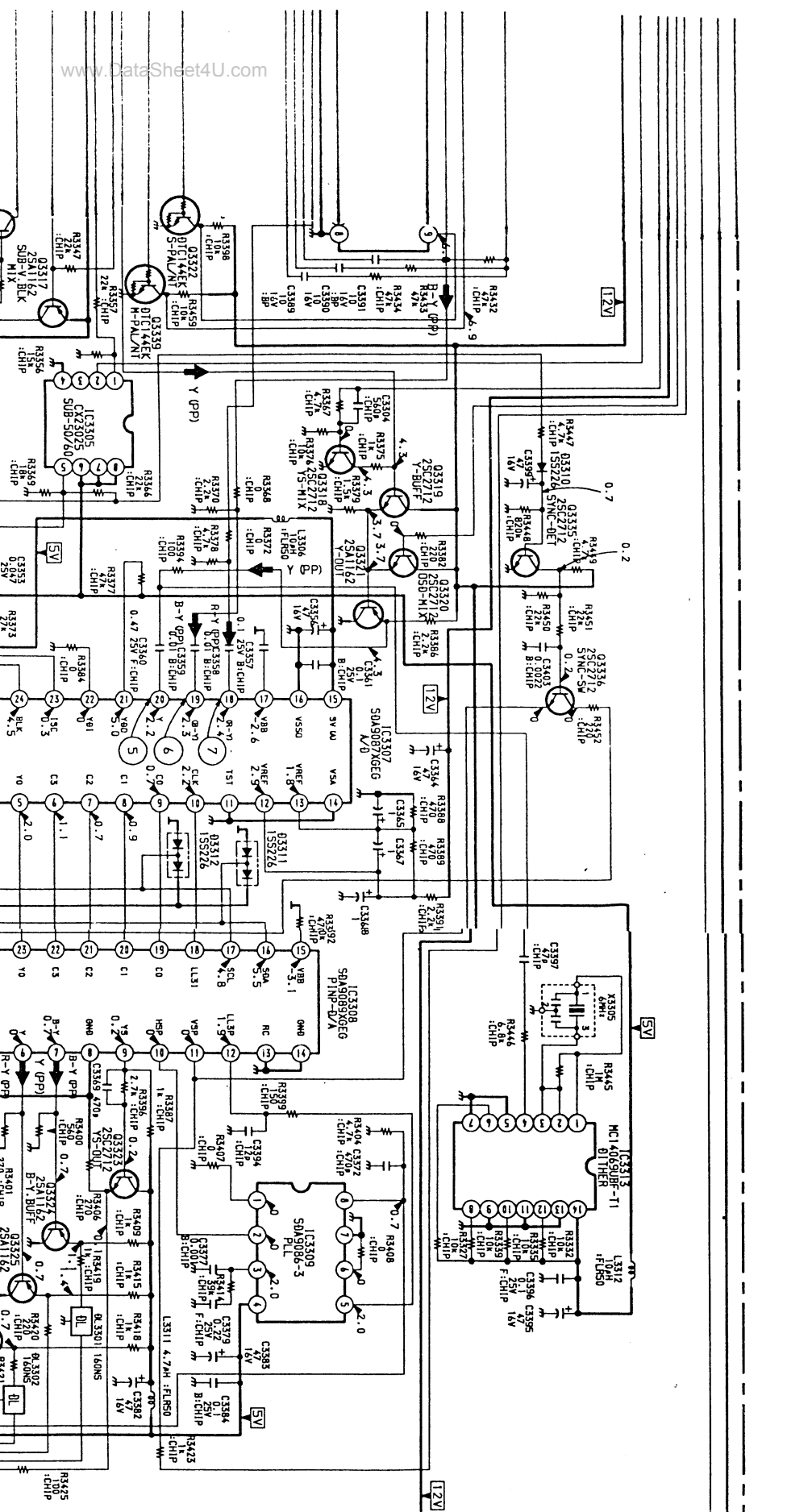
C575	34 inch only	29 inch only
	0.6A 200V	1 200V

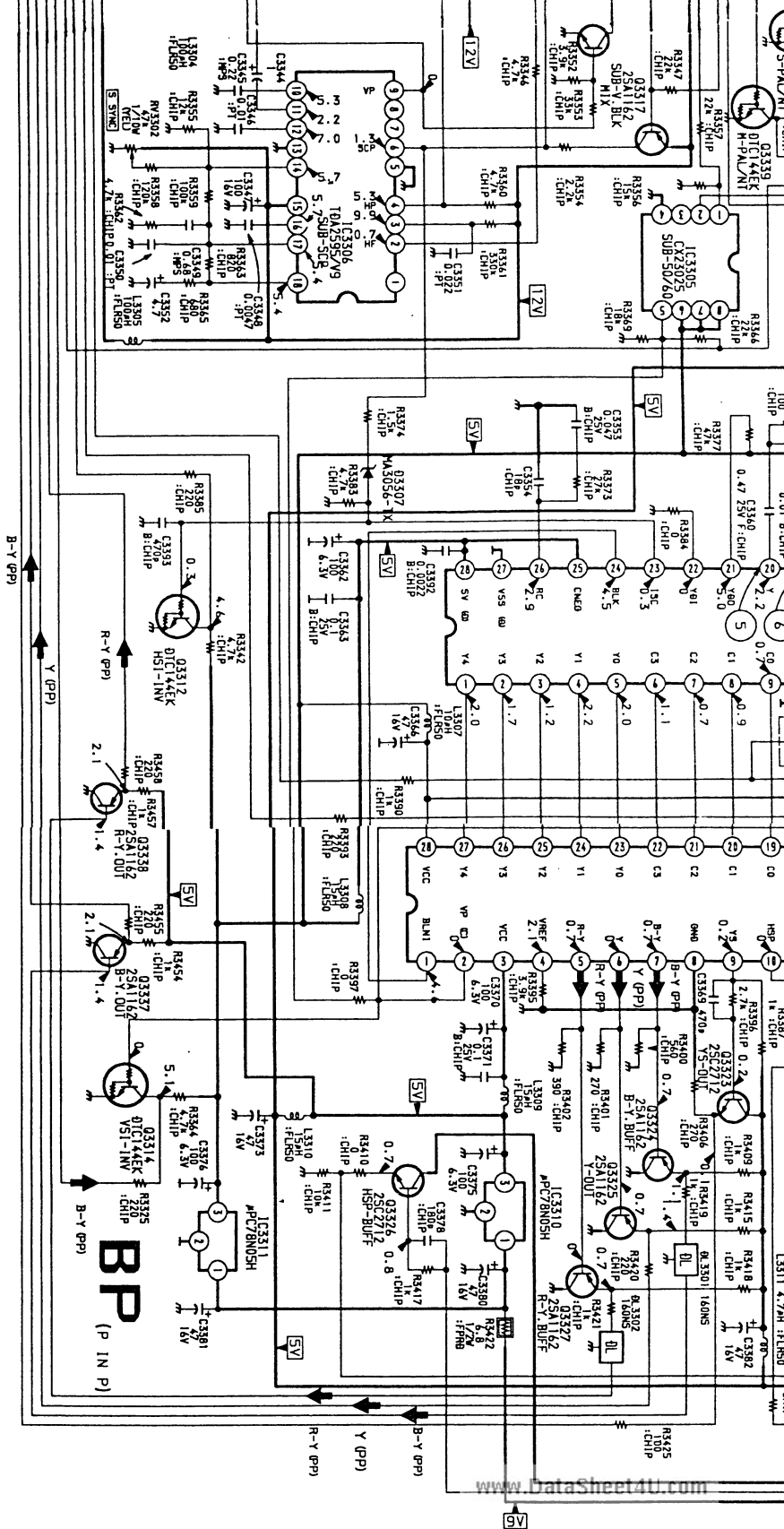
DL V OUT **D**



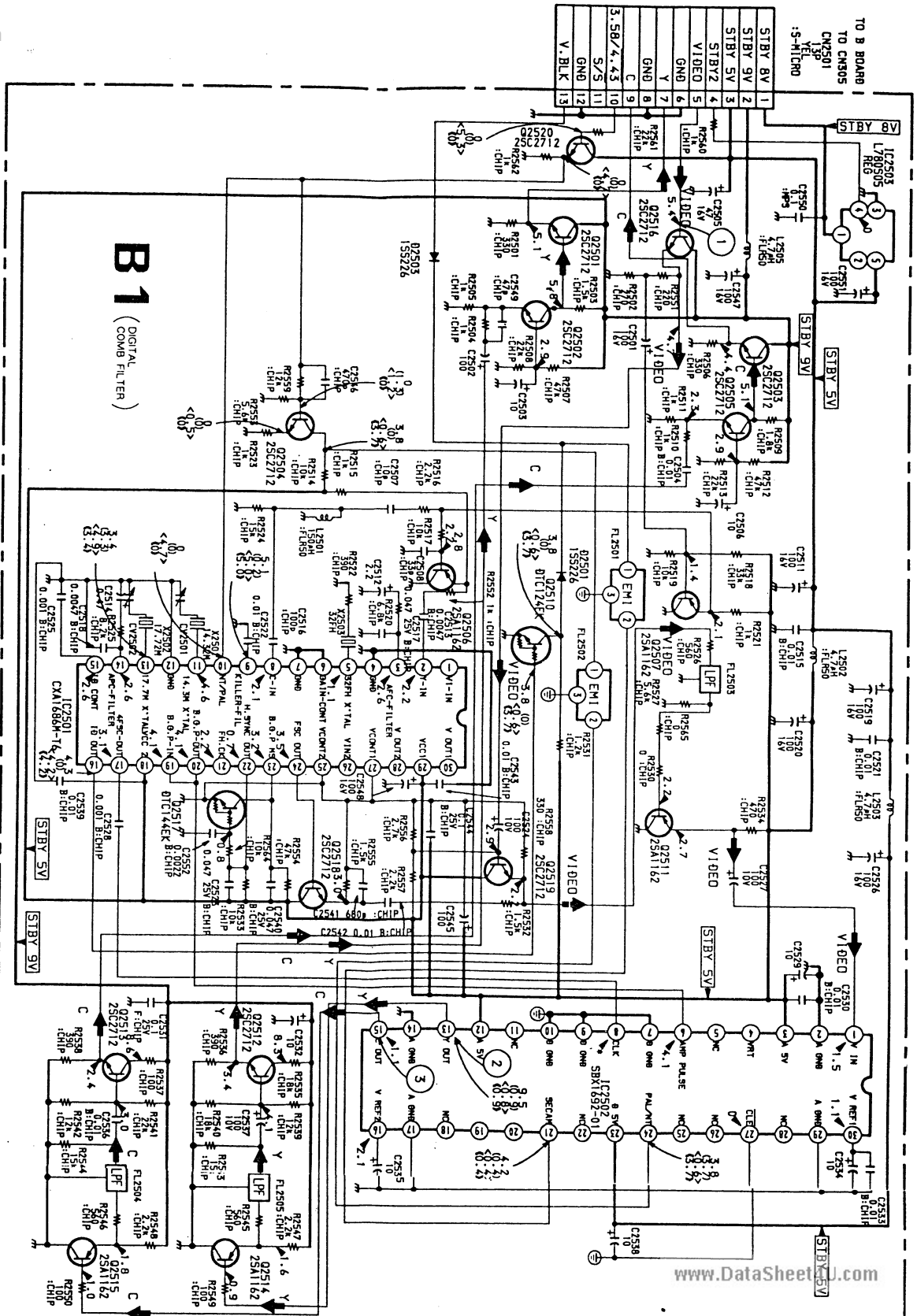






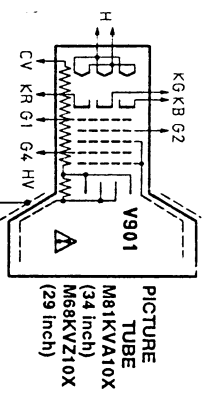






**B1**  
(DIGITAL COMB FILTER)

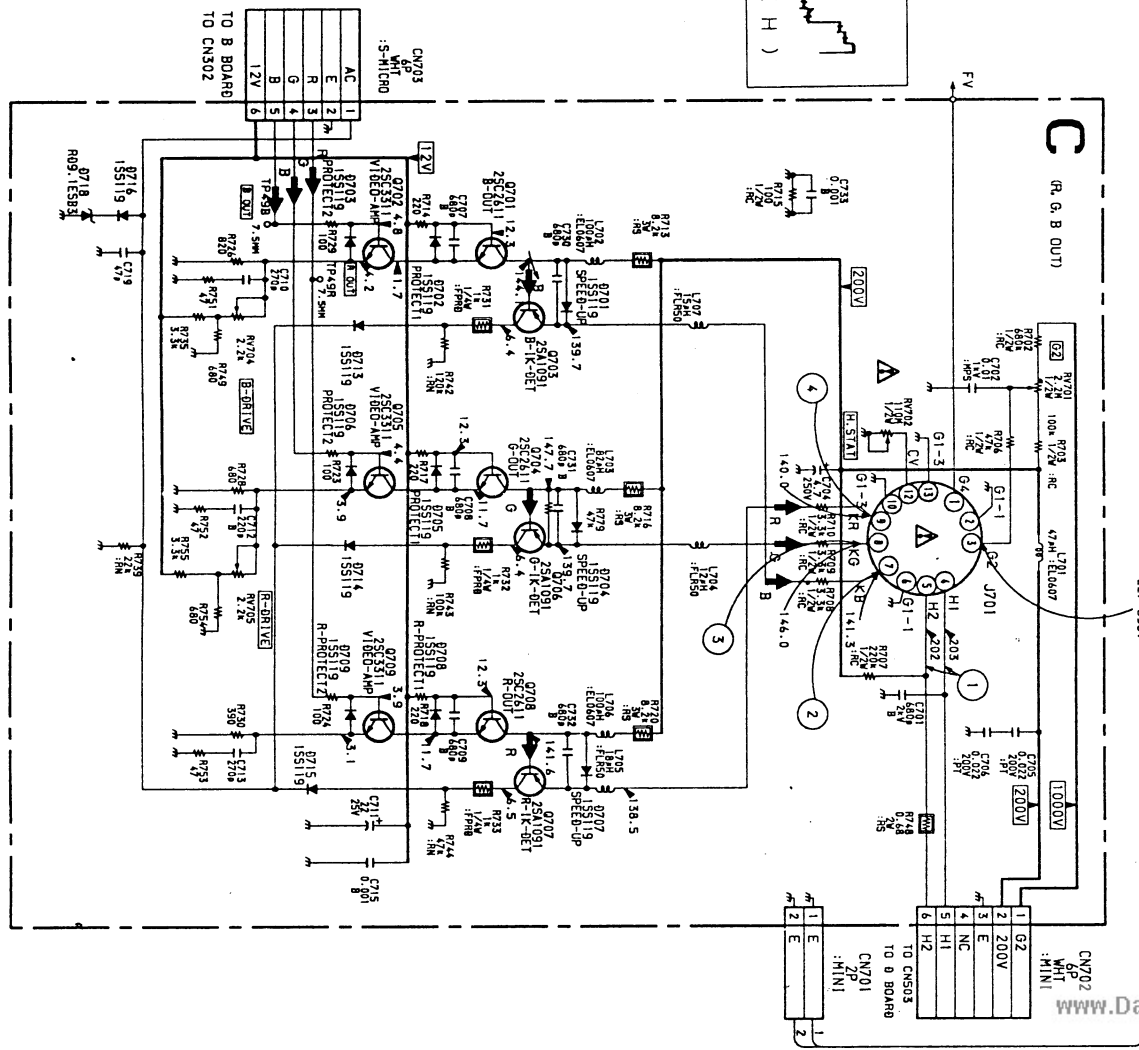
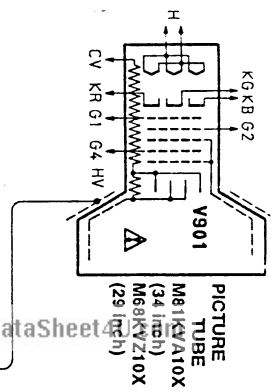
①	PAL NTSC 3.58 NTSC 4.43	①	SECAM	②	PAL NTSC 3.58 NTSC 4.43
②	SECAM	③	PAL NTSC 3.58 NTSC 4.43	③	SECAM

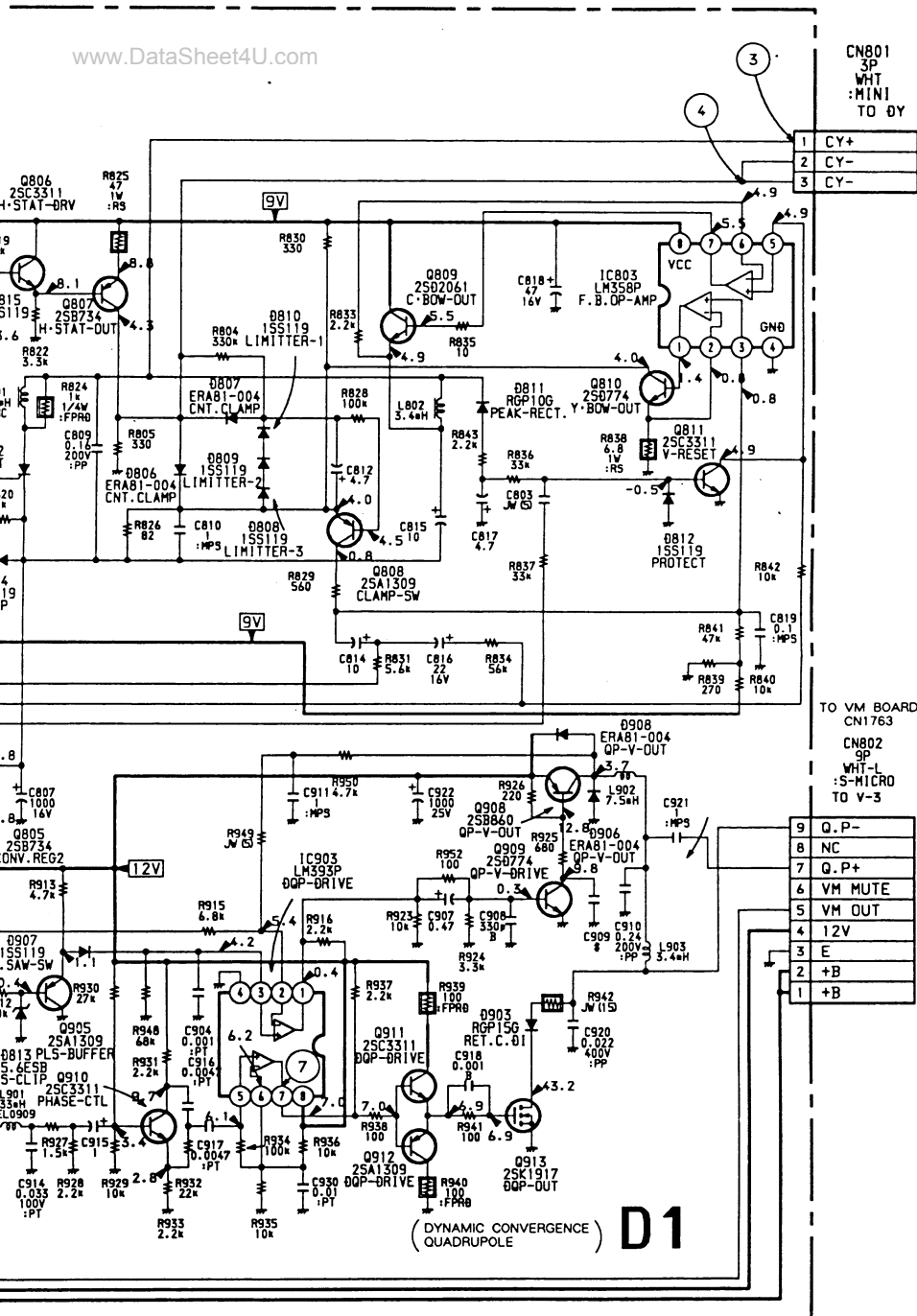


PICTURE TUBE  
M81KV10X  
(34 inch)  
M68KVZ10X  
(29 inch)

	2.2 Vp-p (H)		2.5 Vp-p (H)		1.7 Vp-p (H)
② SECAM		③ PAL NTSC 58		③ SECAM	
	2.2 Vp-p (H)		1.2 Vp-p (H)		0.7 Vp-p (H)

	①	41.0 Vp-p (H)
	②	130 Vp-p (H)
	③	130 Vp-p (H)
	④	130 Vp-p (H)





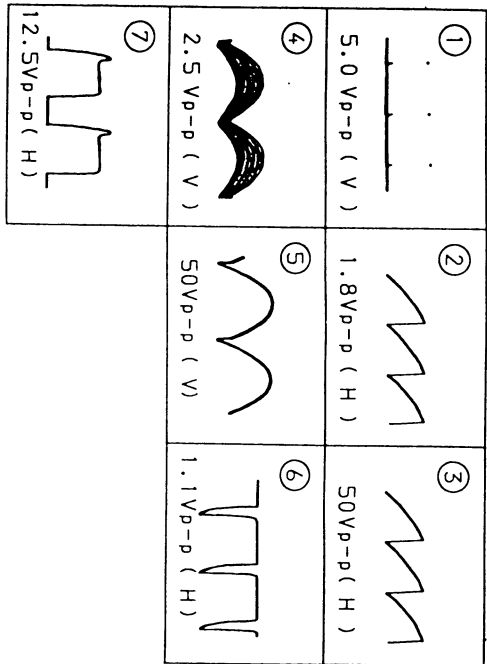
CN801  
3P  
WHT  
:MINI  
TO DY

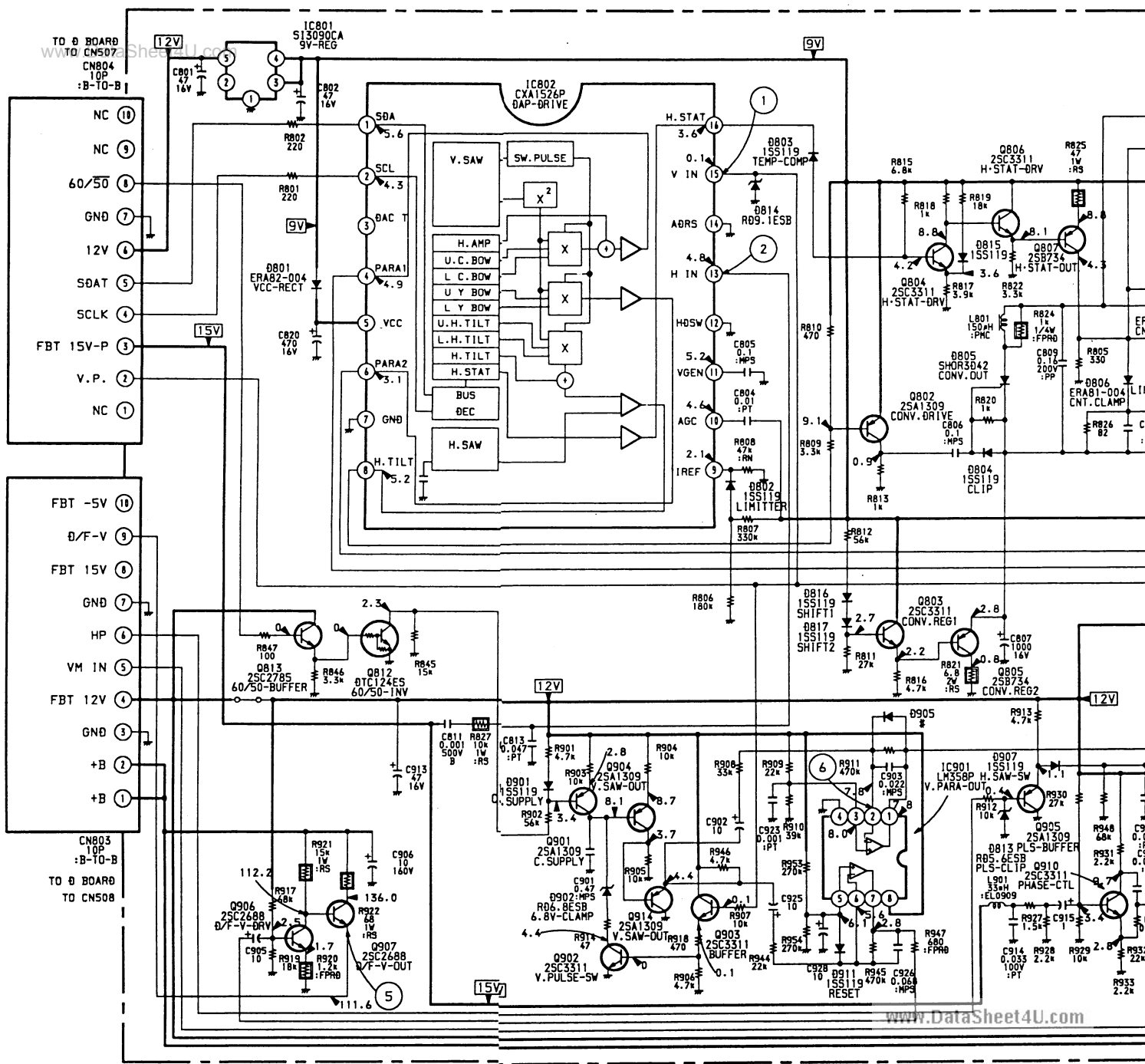
1	CY+
2	CY-
3	CY-

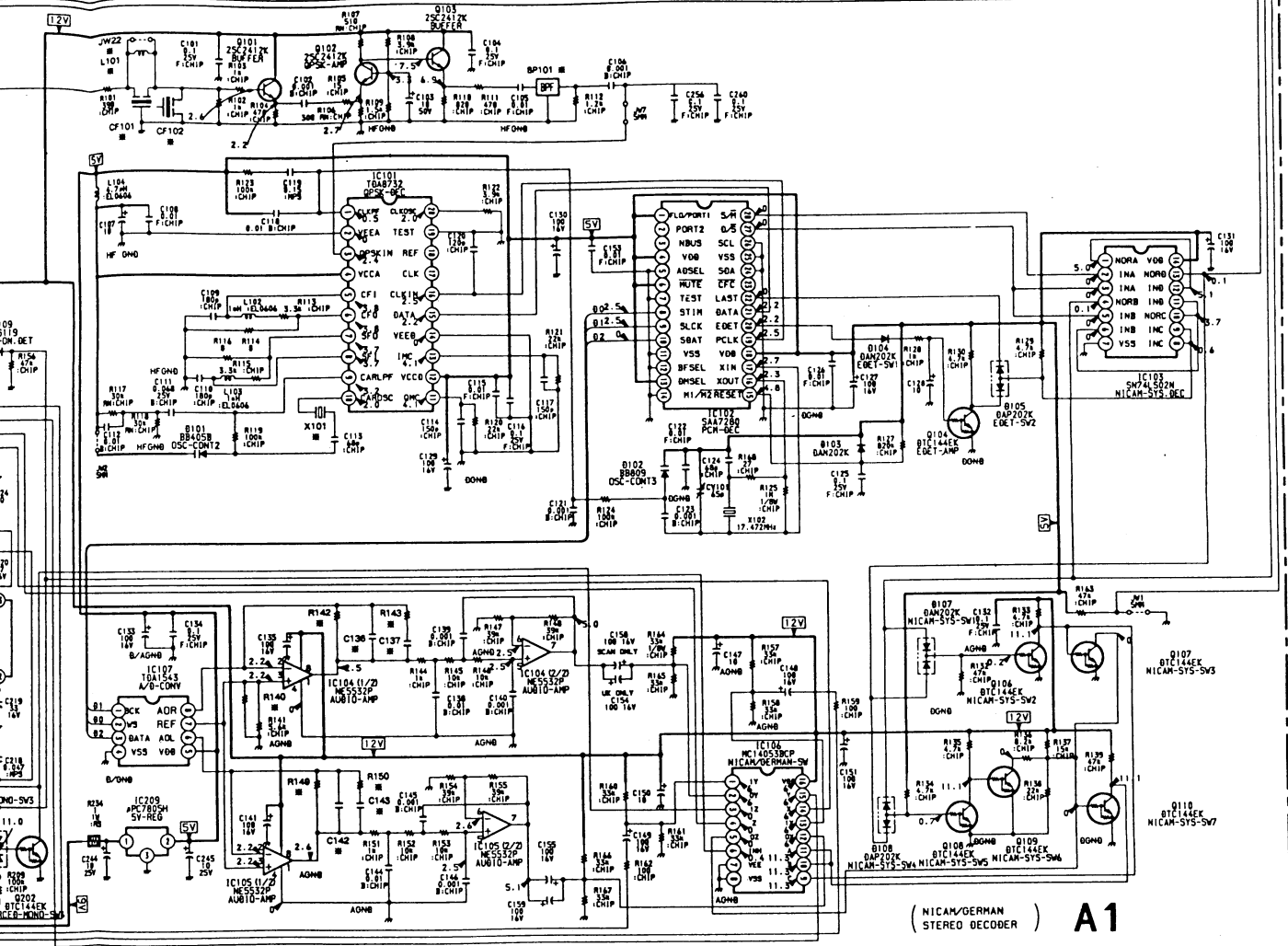
TO VM BOARD  
CN1763  
CN802  
9P  
WHT-L  
:S-MICRO  
TO V-3

9	Q.P.-
8	NC
7	Q.P.+
6	VM MUTE
5	VM OUT
4	1.2V
3	E
2	+B
1	+B

(DYNAMIC CONVERGENCE)  
QUADRUPOLE **D1**

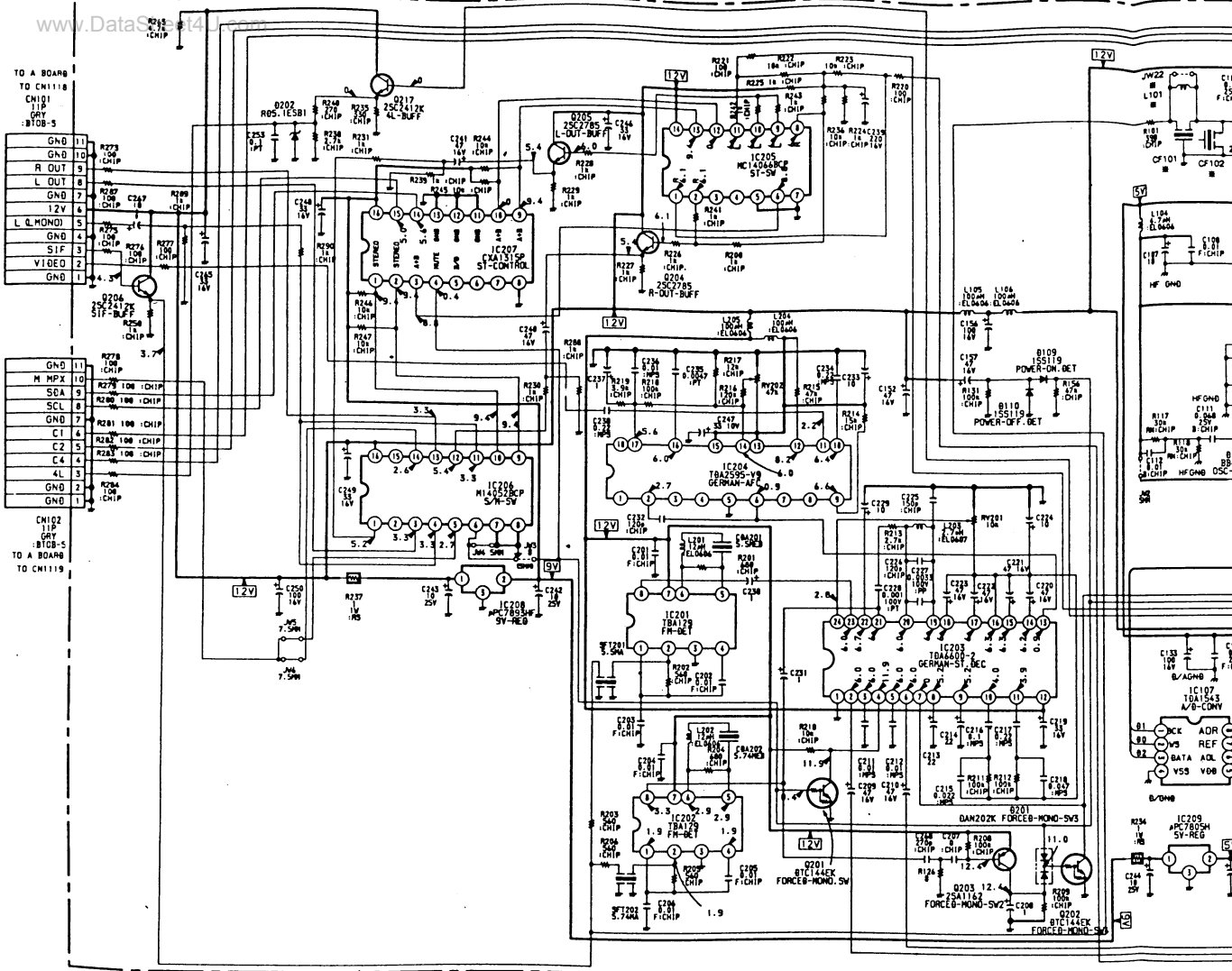






(NICAM/GERMAN STEREO DECODER) **A1**

IC101	KV-S28MH1
IC102	KV-S28MH1
IC103	KV-S28MH1
IC104	KV-S28MH1
IC105	KV-S28MH1
IC106	KV-S28MH1
IC107	KV-S28MH1
IC108	KV-S28MH1
IC109	KV-S28MH1
IC110	KV-S28MH1
IC111	KV-S28MH1
IC112	KV-S28MH1
IC113	KV-S28MH1
IC114	KV-S28MH1
IC115	KV-S28MH1
IC116	KV-S28MH1
IC117	KV-S28MH1
IC118	KV-S28MH1
IC119	KV-S28MH1
IC120	KV-S28MH1
IC121	KV-S28MH1
IC122	KV-S28MH1
IC123	KV-S28MH1
IC124	KV-S28MH1
IC125	KV-S28MH1
IC126	KV-S28MH1
IC127	KV-S28MH1
IC128	KV-S28MH1
IC129	KV-S28MH1
IC130	KV-S28MH1
IC131	KV-S28MH1
IC132	KV-S28MH1
IC133	KV-S28MH1
IC134	KV-S28MH1
IC135	KV-S28MH1
IC136	KV-S28MH1
IC137	KV-S28MH1
IC138	KV-S28MH1
IC139	KV-S28MH1
IC140	KV-S28MH1
IC141	KV-S28MH1
IC142	KV-S28MH1
IC143	KV-S28MH1
IC144	KV-S28MH1
IC145	KV-S28MH1
IC146	KV-S28MH1
IC147	KV-S28MH1
IC148	KV-S28MH1
IC149	KV-S28MH1
IC150	KV-S28MH1
IC151	KV-S28MH1
IC152	KV-S28MH1
IC153	KV-S28MH1
IC154	KV-S28MH1
IC155	KV-S28MH1
IC156	KV-S28MH1
IC157	KV-S28MH1
IC158	KV-S28MH1
IC159	KV-S28MH1
IC160	KV-S28MH1
IC161	KV-S28MH1
IC162	KV-S28MH1
IC163	KV-S28MH1
IC164	KV-S28MH1
IC165	KV-S28MH1
IC166	KV-S28MH1
IC167	KV-S28MH1
IC168	KV-S28MH1
IC169	KV-S28MH1
IC170	KV-S28MH1
IC171	KV-S28MH1
IC172	KV-S28MH1
IC173	KV-S28MH1
IC174	KV-S28MH1
IC175	KV-S28MH1
IC176	KV-S28MH1
IC177	KV-S28MH1
IC178	KV-S28MH1
IC179	KV-S28MH1
IC180	KV-S28MH1
IC181	KV-S28MH1
IC182	KV-S28MH1
IC183	KV-S28MH1
IC184	KV-S28MH1
IC185	KV-S28MH1
IC186	KV-S28MH1
IC187	KV-S28MH1
IC188	KV-S28MH1
IC189	KV-S28MH1
IC190	KV-S28MH1
IC191	KV-S28MH1
IC192	KV-S28MH1
IC193	KV-S28MH1
IC194	KV-S28MH1
IC195	KV-S28MH1
IC196	KV-S28MH1
IC197	KV-S28MH1
IC198	KV-S28MH1
IC199	KV-S28MH1
IC200	KV-S28MH1



X101	1.310MHz	1.579283232	11.700MHz	1.57928232
R150	820 : CHIP		360 RN : CHIP	
R149	3.9k : CHIP		3.9k : CHIP	
R143	820 : RS		360 RN : CHIP	
R142	3.9k : CHIP		3.9k : CHIP	
R140	15k : RS		15k : RS	
JW22			5MM	
L101	1.5 u.H : EL0606			
CF102				
CF101	1.409393-11			
C143	0.047 25V B : CHIP		0.1 25V B : CHIP	
C142	0.012 B : CHIP		0.033 25V B : CHIP	
C137	0.047 25V B : CHIP		0.033 25V B : CHIP	
C136	0.012 B : CHIP		0.033 25V B : CHIP	
BP101	1.236-238-12		1.236-477-11	
KV-S29NH1	KV-S34NH1		KV-S29JN1 / KV-S46N1	